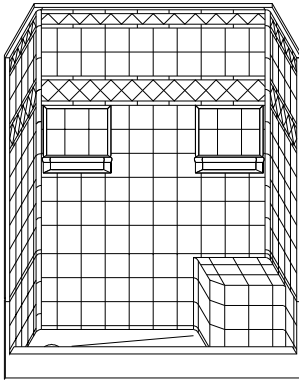
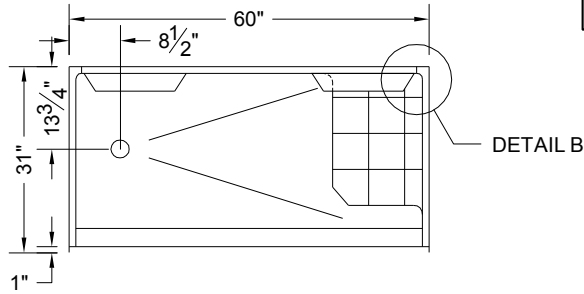


# MODEL: 4LDSS6030

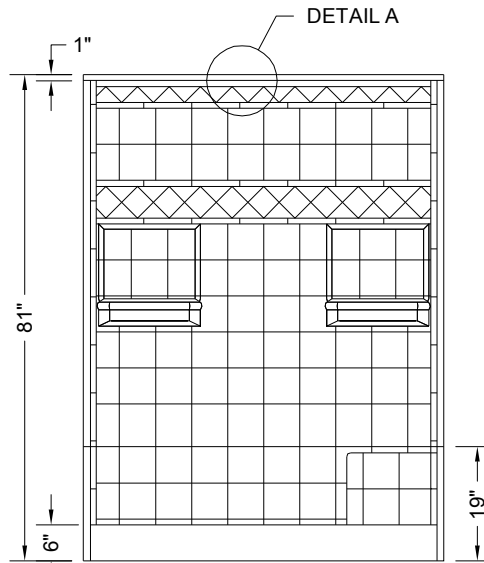
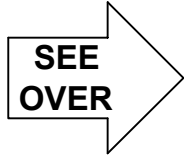
ALL ACCESSORIES OPTIONAL



PERSPECTIVE VIEW - N.T.S.  
MODEL SHOWN HERE AS:  
LEFT HAND



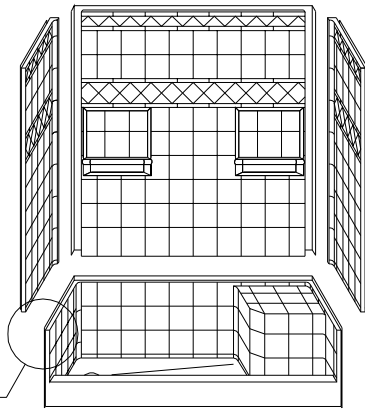
TOP VIEW - SCALE  $\frac{3}{8}'' = 1'-0''$



FRONT ELEVATION - SCALE:  $\frac{3}{8}'' = 1'-0''$

## Features:

- Gelcoat/fiberglass four-piece seat shower module
- "Diamond Tile" wall finish, white (standard)
- Integral full wood backing for strength and unlimited accessory placement
- The authentic look of ceramic tile without the grout
- Easy in-place assembly from the front



ASSEMBLY VIEW - N.T.S.

\* - SEE BACK FOR DETAIL SECTIONS

## PRODUCT SPECIFICATIONS:

-Four-piece seat shower module shall be constructed of gelcoat/fiberglass with full integral plywood backing in the walls

C.S.I. FORMAT SPECIFICATION TEXT AVAILABLE

### PRODUCT INFORMATION:

-Accessories: Factory installed, unless prone to damage during installation/shipping. Polished chrome/satin stainless standard, others available.  
-Colors: White as standard, others to match any major fixture manufacturer, also available with sprayable solid surface in many colors

### ACCESSORIES:

INSTALLED BY OTHERS:  
-Grab bar  
-Mixing valve, pressure balanced, lever handle, preplumbed tree to supply elbow  
-Vacuum breaker  
-Curtain and rod

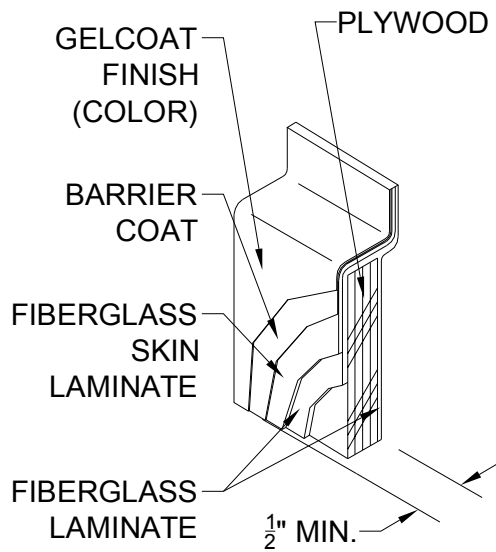
### CODES:

Designed and manufactured in compliance with the following standards and codes:  
-A.N.S.I. Z1241.2 Standards for plastic Bathtubs and Showers

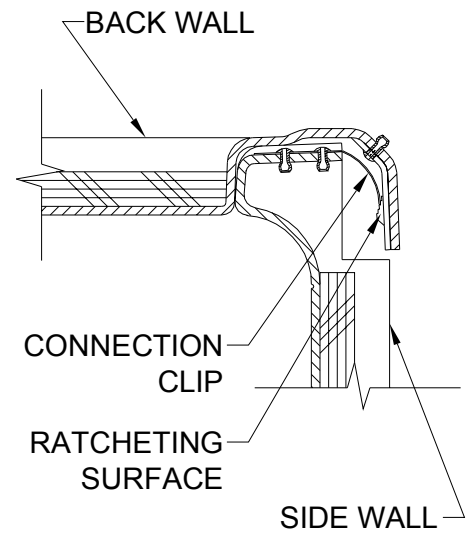
### NOTICE OF LIMITATION:

-Non U.P.C. OR I.P.C.

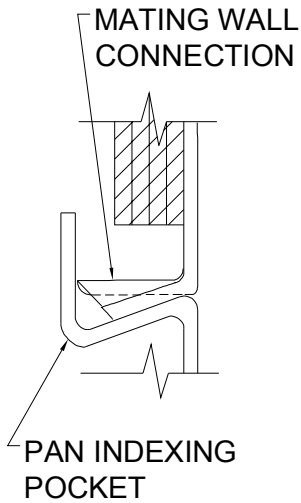
*We reserve the right to make revisions without notice in the design of fixtures or in packaging unless this right has specifically been waived at the time the order is accepted.*



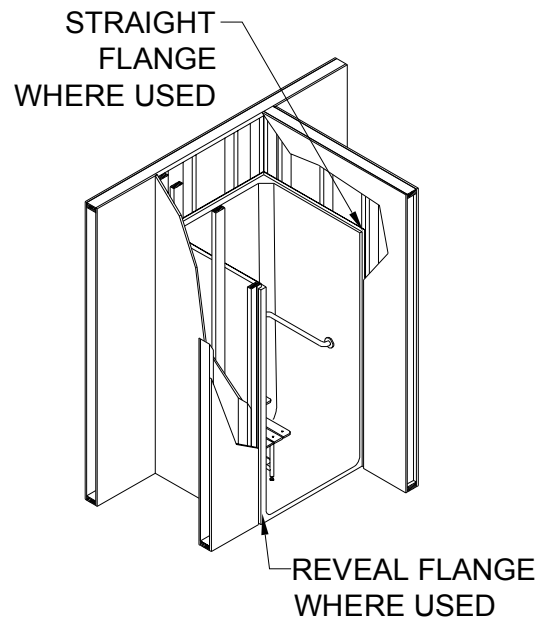
DETAIL A - SCALE N.T.S.  
WALL SECTION DETAIL



DETAIL B - SCALE N.T.S.  
WALL SNAP JOINT DETAIL



DETAIL C - SCALE N.T.S.  
WALL / PAN JOINT DETAIL



DETAIL D - SCALE N.T.S.  
TYPICAL FRAMING DETAIL