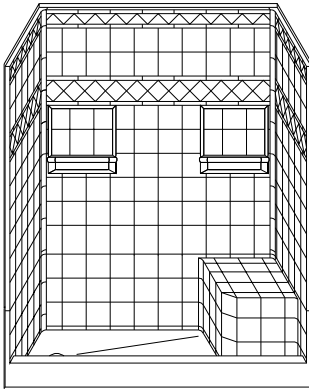
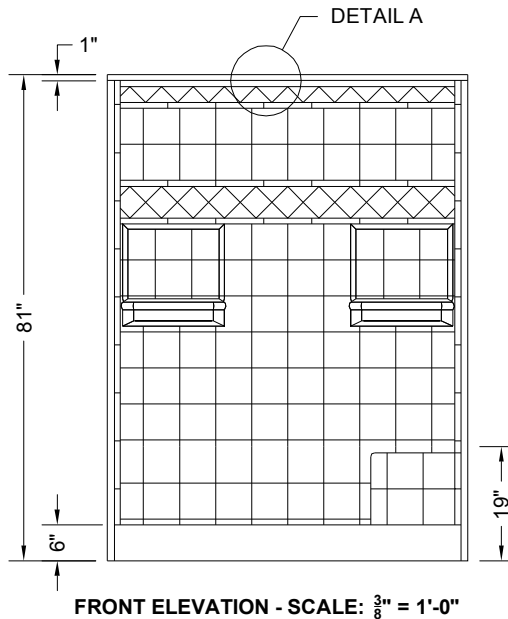
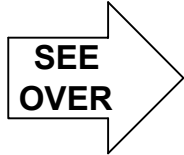
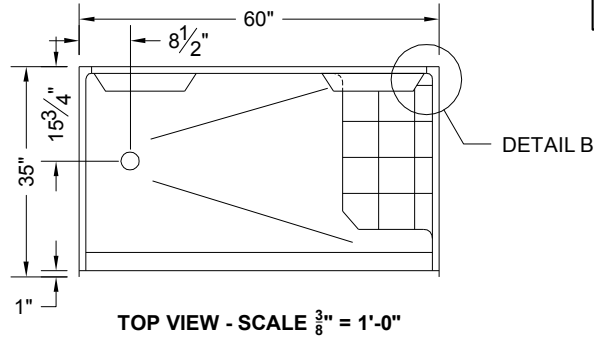


# MODEL: 4LDSS6034

ALL ACCESSORIES OPTIONAL

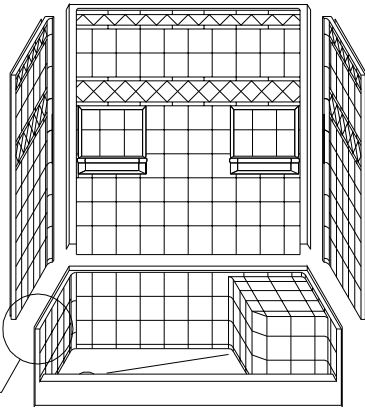


**PERSPECTIVE VIEW - N.T.S.**  
**MODEL SHOWN HERE AS:**  
**LEFT HAND**



## Features:

- Gelcoat/fiberglass four-piece shower module
- "Diamond Tile" wall finish, white (standard)
- Integral full wood backing for strength and unlimited accessory placement
- The authentic look of ceramic tile without the grout
- Easy in-place assembly from the front



**ASSEMBLY VIEW - N.T.S.**

\* - SEE BACK FOR DETAIL SECTIONS

## PRODUCT SPECIFICATIONS:

- Four-piece seat shower module shall be constructed of gelcoat/fiberglass with full integral plywood backing in the walls
- Rough-In: Stud opening + 1/4"-0" Nominal Dimensions.

C.S.I. FORMAT SPECIFICATION TEXT AVAILABLE

## PRODUCT INFORMATION:

- Accessories: Factory installed, unless prone to damage during installation/shipping. Polished chrome/satin stainless standard, others available.
- Colors: White as standard, others to match any major fixture manufacturer, also available with sprayable solid surface in many colors

## ACCESSORIES:

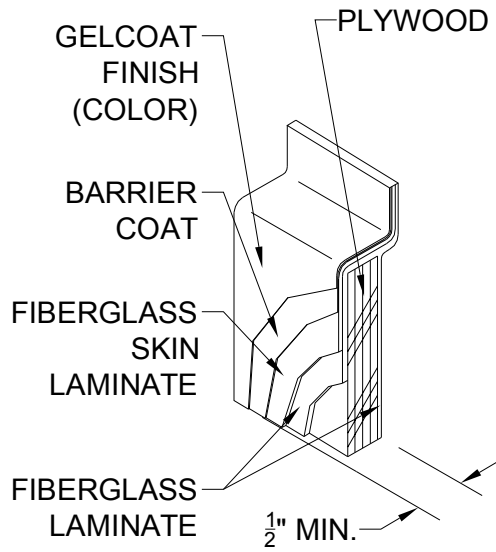
- INSTALLED BY OTHERS:**
- Grab bar
  - Mixing valve, pressure balanced, lever handle, preplumbed tree to supply elbow
  - Curtain and rod

## CODES:

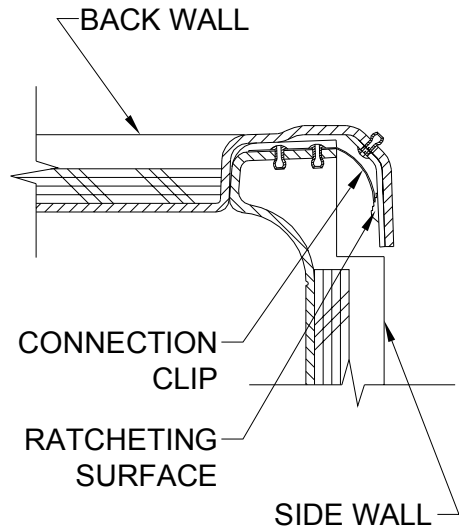
- Designed and manufactured in compliance with the following standards and codes:
- A.N.S.I. Z1241.2 Standards for plastic Bathtubs and Showers
  - I.P.C. International Plumbing Code
  - U.P.C. Uniform Plumbing Code

## NOTICE OF LIMITATION:

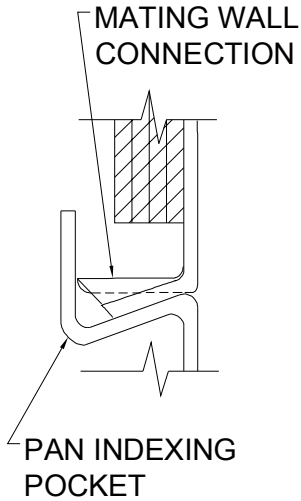
*We reserve the right to make revisions without notice in the design of fixtures or in packaging unless this right has specifically been waived at the time the order is accepted.*



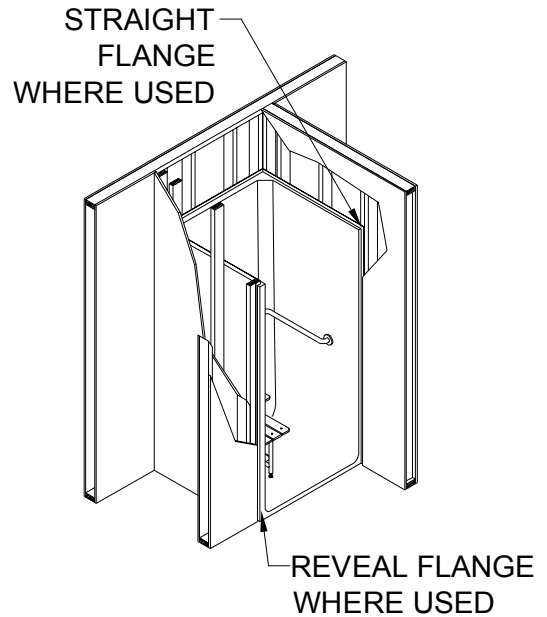
DETAIL A - SCALE N.T.S.  
WALL SECTION DETAIL



DETAIL B - SCALE N.T.S.  
WALL JOINT DETAIL



DETAIL C - SCALE N.T.S.  
WALL / PAN JOINT DETAIL



DETAIL D - SCALE N.T.S.  
TYPICAL FRAMING DETAIL