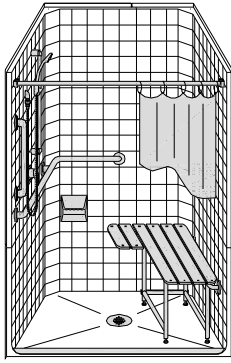


MODEL: 3CS3838A5T*

ALL ACCESSORIES OPTIONAL

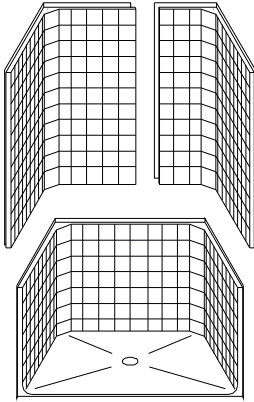


ADA COMPLIANT

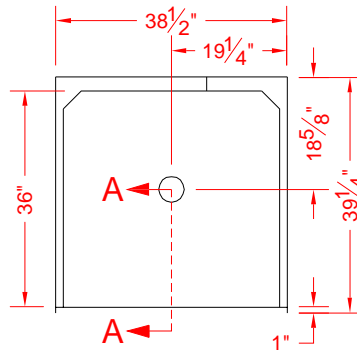


PERSPECTIVE VIEW - N.T.S.
MODEL SHOWN HERE AS:

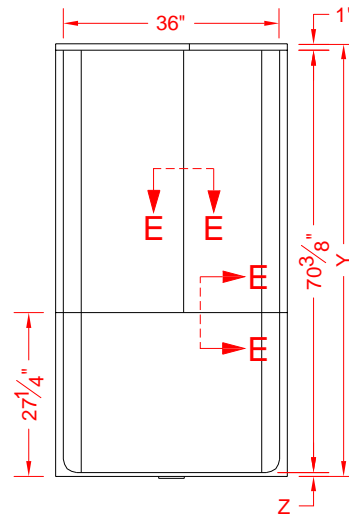
RIGHT SEAT
LEFT PLUMBING



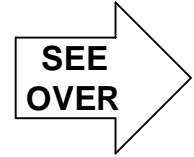
ASSEMBLY VIEW - N.T.S.



TOP VIEW - SCALE $\frac{3}{8}'' = 1'-0''$



FRONT ELEVATION - SCALE: $\frac{3}{8}'' = 1'-0''$



Features:

- Molded, ADA compliant three piece gelcoat/fiberglass transfer shower
- Available in various threshold heights
- "Classic Tile" wall finish, white (standard)
- Integral full wood backing for strength and unlimited accessory placement
- On all threshold heights 1-1/2" or taller, no mud set is required
- On all threshold heights 1-1/4" or shorter, no mud set is required, but an adhesive kit is supplied

*OTHER THRESHOLD HEIGHTS AVAILABLE UPON REQUEST

MODEL #	UNIT HEIGHT	THRESHOLD HEIGHT
	Y	Z*
3CS3838A5T	72"	5/8" MIN.
3CS3838A15T	73-1/8"	1 3/4" MAX.

* - SEE BACK FOR DETAIL SECTIONS

PRODUCT SPECIFICATIONS:

- Multi piece shower module shall be constructed of gelcoat/fiberglass with full integral plywood backing
- Rough-In: Stud opening +1/4" -0" Nominal Dimensions.

C.S.I. FORMAT SPECIFICATION TEXT AVAILABLE

PRODUCT INFORMATION:

- Accessories: Factory installed, unless prone to damage during installation/shipping. Polished chrome/satin stainless standard, others available.
- Colors: White as standard, others to match any major fixture manufacturer, also available with sprayable solid surface in many colors
- Custom curb heights, other than shown, are available (between min. and max.)

Accessories are not factory installed.

ACCESSORIES:

INSTALLED BY OTHERS:

- Grab bar
- Seat, folding
- Mixing valve, pressure balanced, lever handle, pre-plumbed tree to supply elbow
- Soap dish
- Curtain and rod
- T-Shaped Rubber WaterStopper Kit
- Semi-permanent Threshold Adaptor
- Caulkless drain

CODES:

- Designed and manufactured in compliance with the following standards and codes:
- A.N.S.I. Z124.2 Standards for Plastic Showers
 - I.P.C. International Plumbing Code
 - A.D.A. Accessibility Guidelines for Buildings and Facilities*
 - A.N.S.I. A117.1 Accessible and Usable Buildings and Facilities*
 - U.P.C. Uniform Plumbing Code
- * See Notice of Limitation

NOTICE OF LIMITATION:

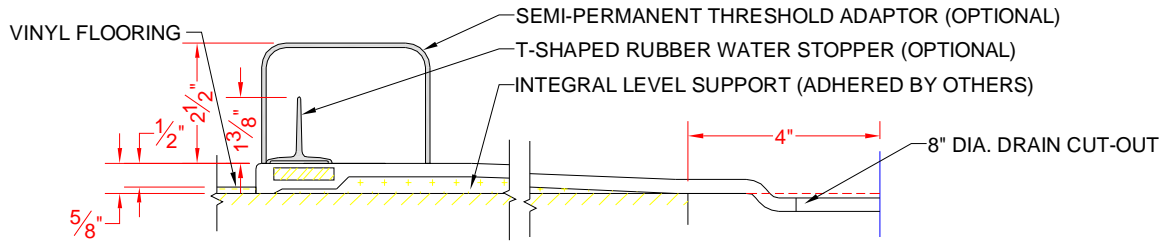
- Recess as needed to meet code
 - Adhere to floor as required
- *When installed, this front flange configuration may not comply with the clear floor space requirements of section 608.2.2 of ICC/ANSI 1.117.1-2003 and section 4.21.2 fig. 35a of ADAG.
- For full compliance please see our models: LCS4038A5T, LCS4038A5B, LDS4038A5T, LSS4038A5T, SS4038A5T



Accessible Environments, Inc.
Authorized Dealer

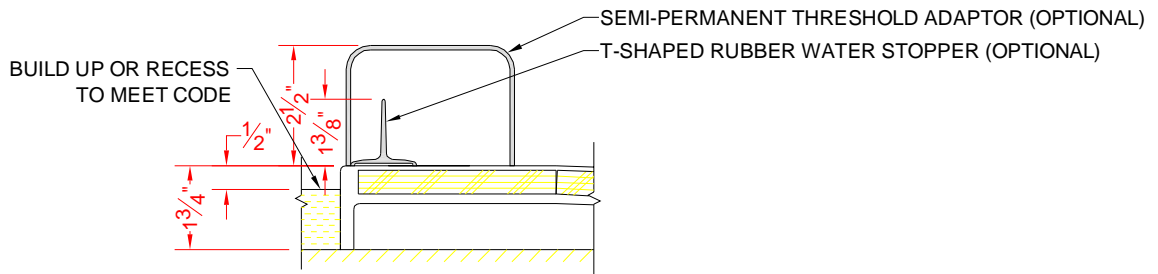
We reserve the right to make revisions without notice in the design of fixtures or in packaging unless this right has specifically been waived at the time the order is accepted.

3CS3838A5T



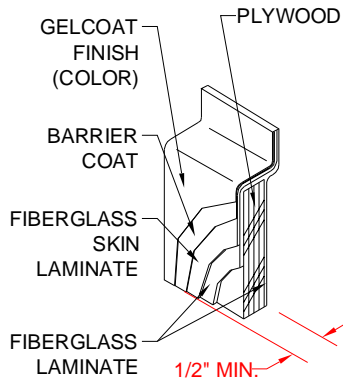
SECTION A-A - SCALE: 3" = 1'-0"

3CS3838A17T

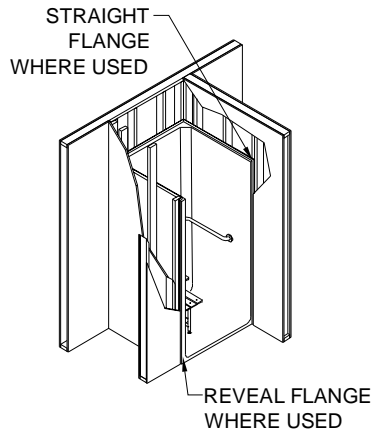


SECTION A-A - SCALE: 3" = 1'-0"

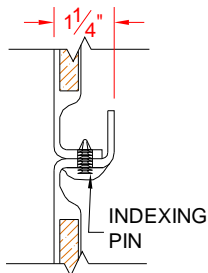
****OTHER THRESHOLD HEIGHTS AVAILABLE UPON REQUEST****



DETAIL B - SCALE: 3" = 1'-0"
WALL SECTION DETAIL



DETAIL C - SCALE: NTS
TYPICAL FRAMING



SECTION E - E - SCALE: NTS
WALL JOINT DETAIL

