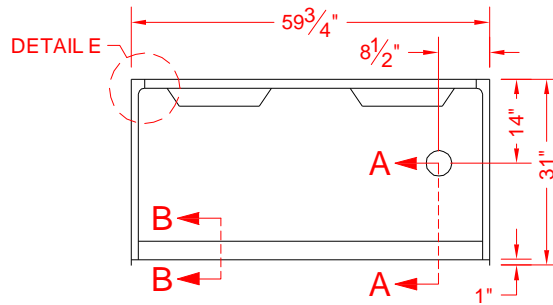
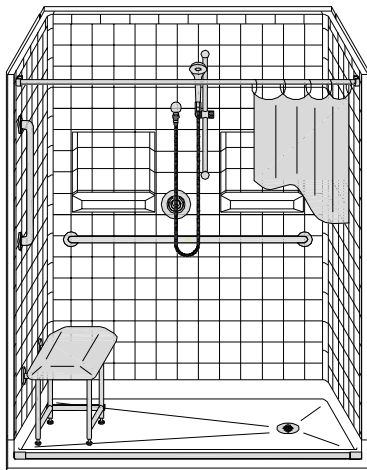
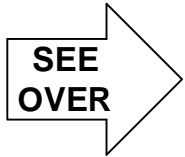


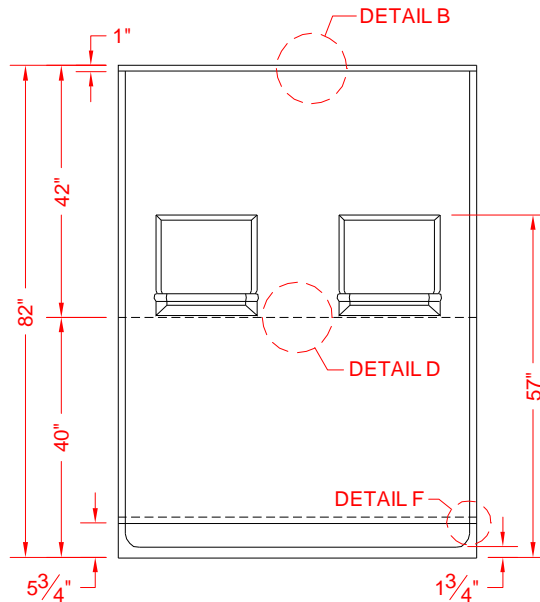
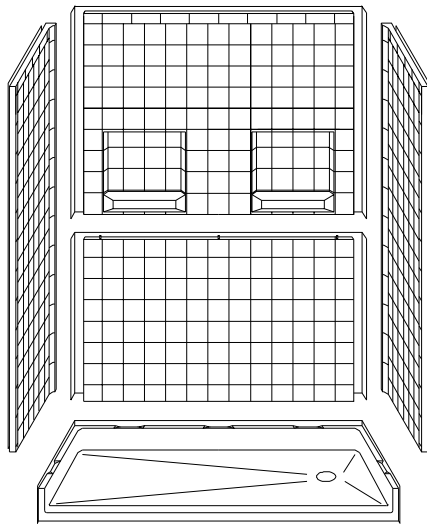
# MODEL: 5LRS6030B17T\*

ALL ACCESSORIES OPTIONAL



## Features:

- Molded, 5 piece gelcoat/fiberglass barrier free shower module
- "RealTile" wall finish, white (standard)
- Integral full wood backing for strength and unlimited accessory placement
- On all threshold, heights 1-1/2" or taller, no mud set is required



\* - SEE BACK FOR DETAIL SECTIONS

## PRODUCT SPECIFICATIONS:

- Multi piece shower module shall be constructed of gelcoat/fiberglass with full integral plywood backing
- Rough-In: Stud opening +1/4" -0" Nominal Dimensions.

C.S.I. FORMAT SPECIFICATION TEXT AVAILABLE

## PRODUCT INFORMATION:

- Accessories: Polished chrome/satin stainless standard, others available.
- Colors: White as standard, others to match any major fixture manufacturer, also available with sprayable solid surface in many colors
- Custom curb heights, other than shown, are available (between min. and max.)

## ACCESSORIES:

### INSTALLED BY OTHERS:

- Grab bar
- Seat, folding
- Mixing valve, pressure balanced, lever handle, preplumbed tree to supply elbow
- Vacuum breaker
- Soap dish
- Curtain and rod
- Collapsible Rubber Water Retainer
- Semi-permanent Threshold Adaptor
- Caulkless drain

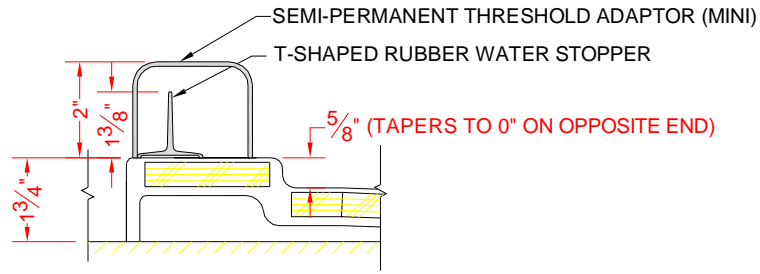
## CODES:

- Designed and manufactured in compliance with the following standards and codes:
- A.N.S.I. Z124.2 Standards for Plastic Showers
  - I.P.C. International Plumbing Code
  - U.P.C. Uniform Plumbing Code

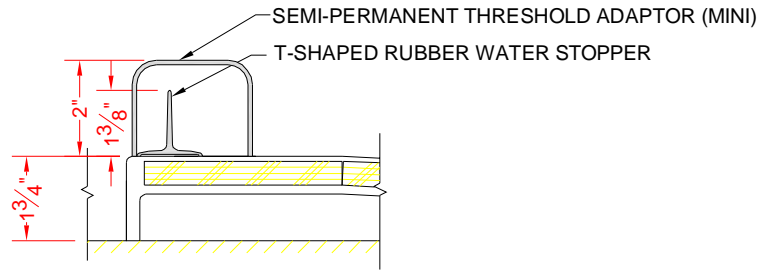
## NOTICE OF LIMITATION:



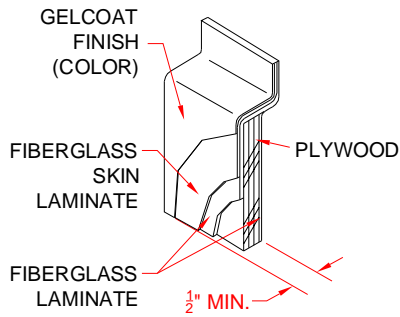
We reserve the right to make revisions without notice in the design of fixtures or in packaging unless this right has specifically been waived at the time the order is accepted.



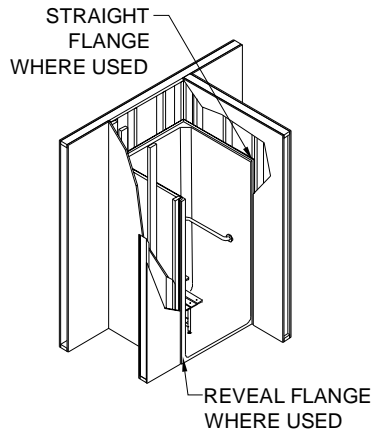
SECTION A-A - SCALE: 3" = 1'-0"



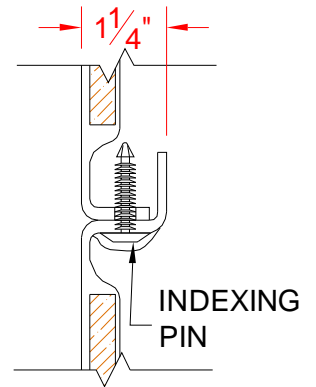
SECTION B-B - SCALE: 3" = 1'-0"



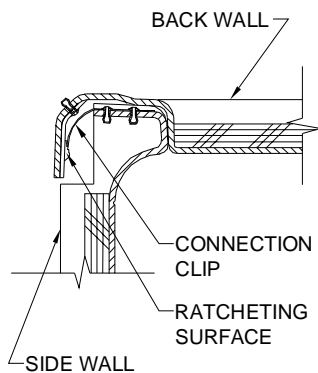
DETAIL B - SCALE: 3" = 1'-0"  
WALL SECTION DETAIL



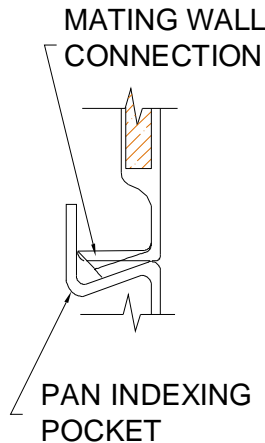
DETAIL C - SCALE: NTS  
TYPICAL FRAMING



DETAIL D - SCALE: NTS  
BACKWALL JOINT DETAIL



DETAIL E - SCALE: NTS  
WALL JOINT DETAIL



DETAIL F - SCALE: NTS  
PAN JOINT DETAIL