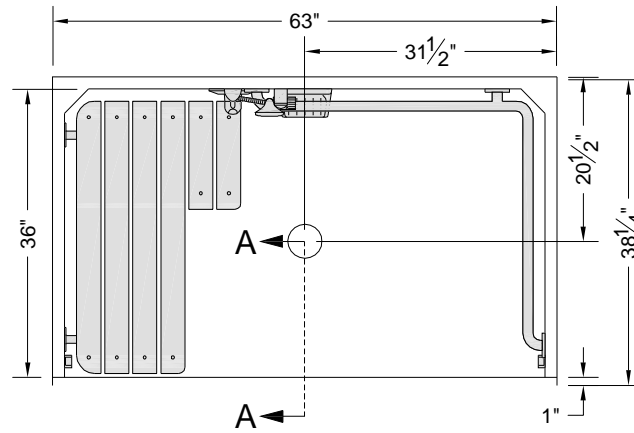
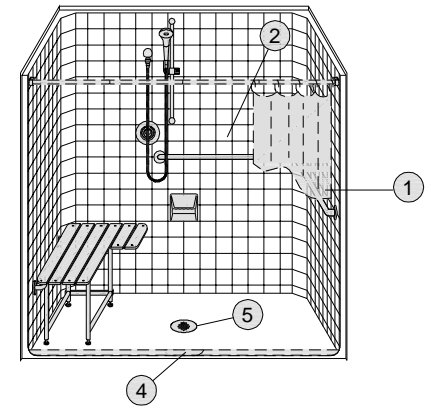




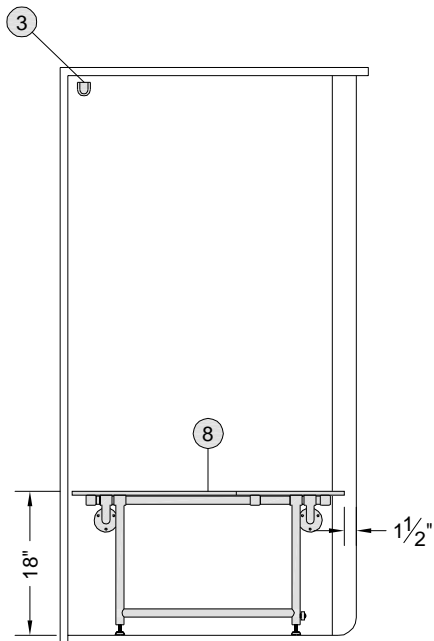
ADA COMPLIANT



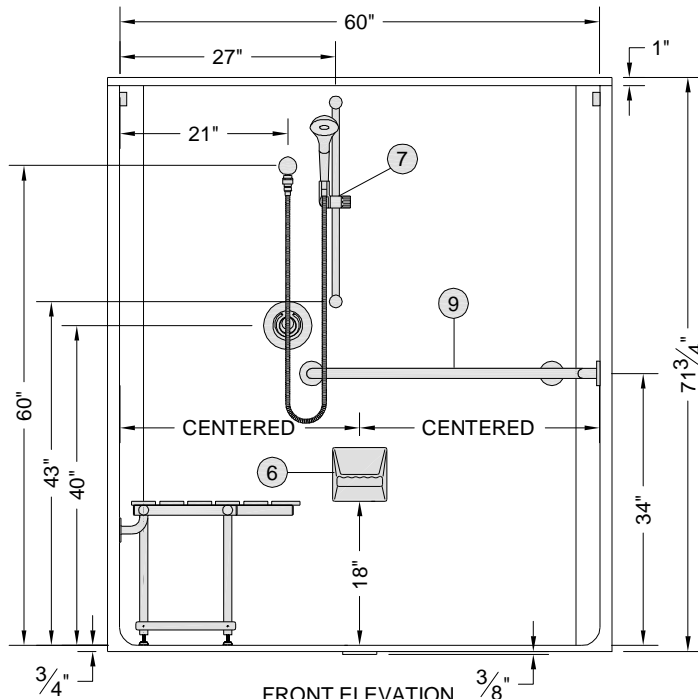
TOP VIEW



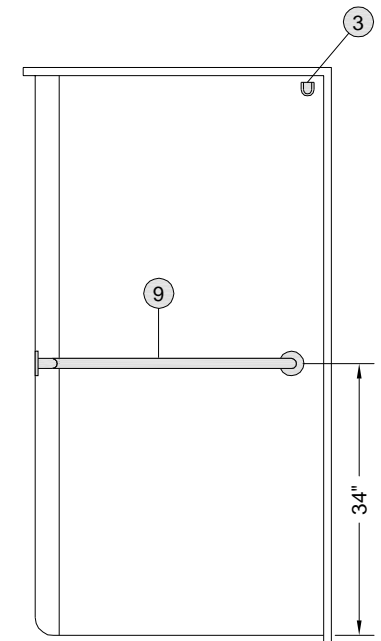
PERSPECTIVE - N.T.S.



LEFT ELEVATION



FRONT ELEVATION



RIGHT ELEVATION

REV	CHANGE	DATE
-	-	-
-	-	-
-	-	-
-	-	-

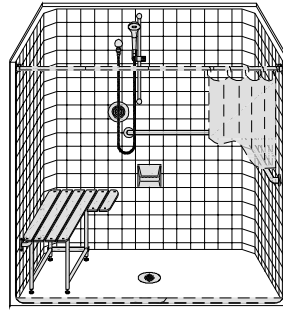
PROJECT: XXXXXXXXXX
 COMPANY: XXXXXXXXXX



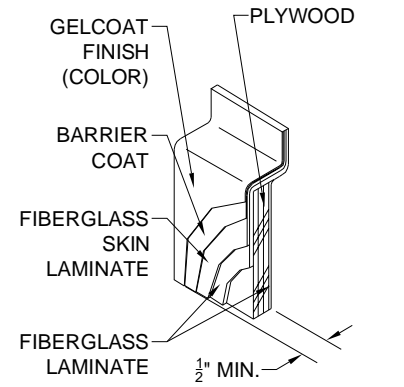
NOTES:
 ALL VERTICAL ACCESSORY DIMENSIONS ARE MEASURED FROM THE FLOOR OF THE SHOWER

DB:WRL	SCALE: 1/2" = 1'-0"	DATE: XX/XX/06
CB:XXX	SHEET 1 OF 2	DRAWING NUMBER: XXXXXX

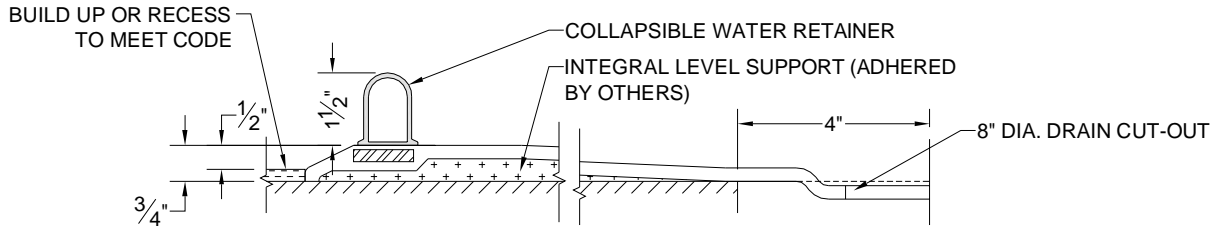
ACCEPTED AS CORRECT BY:
 X _____ / /



PERSPECTIVE N.T.S.



LAMINATE DETAIL C - SCALE: 3" = 1'-0"



SECTION A-A - SCALE: 3" = 1'-0"

UNIT WEIGHT:

NOTES:

23	-							
22	-							
21	-							
20	-							
19	-							
18	-							
17	-							
16	-							
15	-							
14	-							
13	-							
12	-							
11	-							
10	-	FULL PLYWOOD BACKING				✓		
9	1	32" x 36" x 1-1/4" L GRAB BAR				✓		
8	1	34" x 21" FOLD DOWN SEAT WITH SWING DOWN LEGS, PHENOLIC				✓		
7	1	SYMMONS VALVE #15-1-X-FG & HAND HELD SHOWER ASSEMBLY: HANS GROHE #27712 GLIDE BAR, ALSONS #462BG, #4980BX, #4900CH AND #490-60 BG				✓		
6	1	SURFACE MOUNT SOAP DISH				✓		
5	1	SIOUX CHIEF DRAIN #827-2B					✓	✓
4	1	COLLAPSIBLE RUBBER WATER RETAINER					✓	
3	1	AQA MOUNTING BRACKET SET				✓		
2	1	CURTAIN ROD					✓	
1	1	66" x 67" CURTAIN					✓	
KEY	QTY.	DESCRIPTION	COLOR	PART NUMBER	FACTORY INSTALLED	INSTALLED BY OTHERS	MARK LOCATION ONLY	PRE-DRILL HOLES

PARTS LIST



PROJECT: XXXXXXXXXX
COMPANY: XXXXXXXXXX

DATE: XX/XX/06

DRAWING NUMBER: XXXXX

REFER TO SHEET 1 OF 2 FOR ACCESSORY LOCATIONS

SHEET 2 OF 2