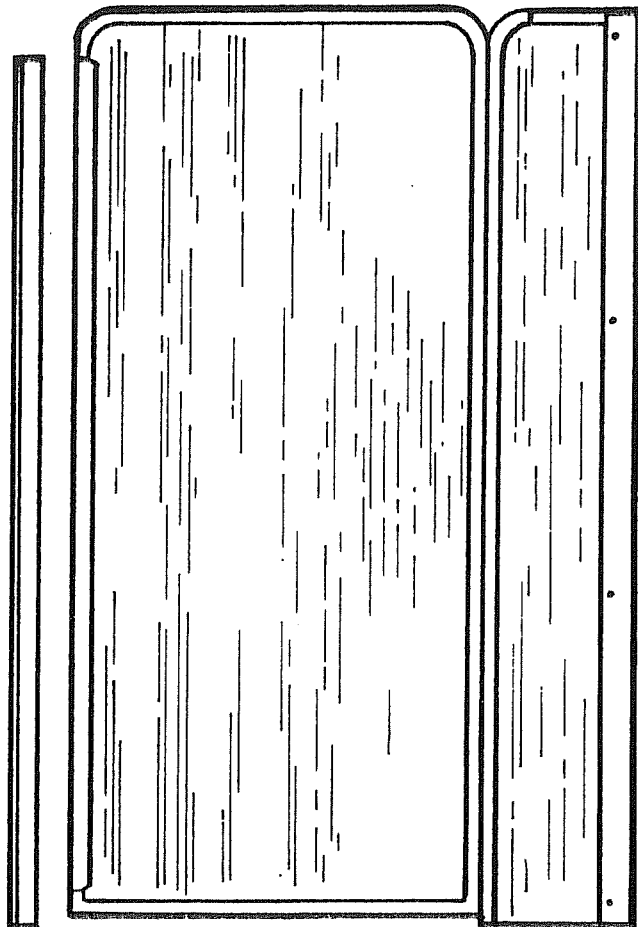




# SHOWER VEIL®

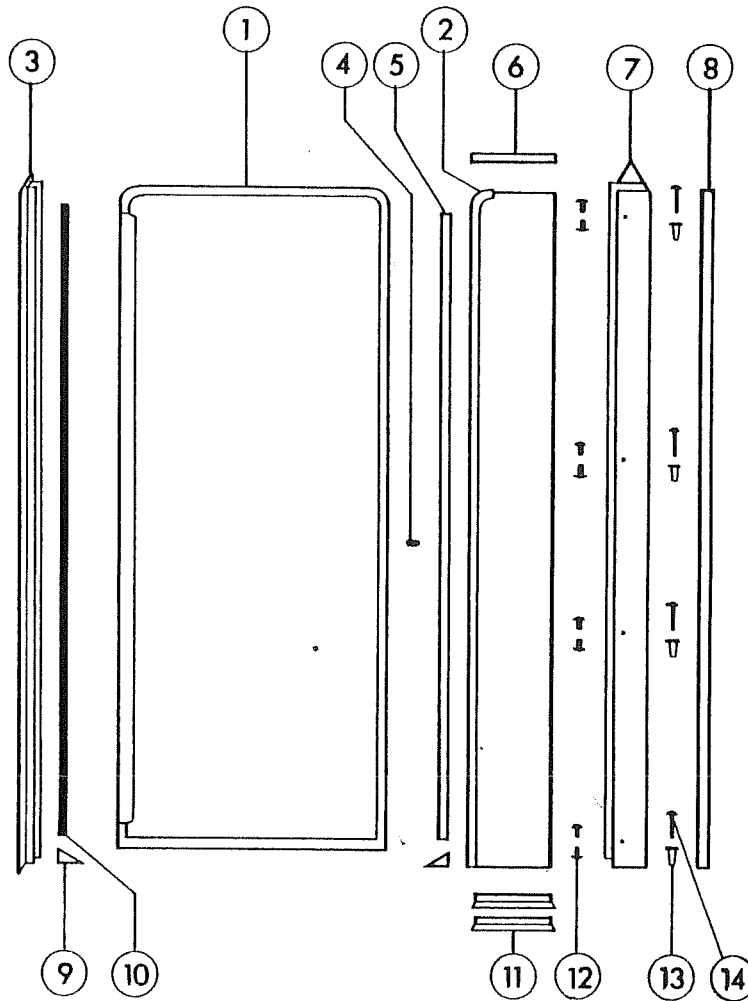
26''-28'' TRACKLESS SINGLE PANEL SHOWER DOORS

**INSTALLATION INSTRUCTIONS  
INSTRUCCIONES PARA INSTALACIÓN  
MODE D'INSTALLATION**



# SHOWER DOOR COMPONENTS DESCRIPCIÓN DE LAS PARTES

# PIECES DES PORTES DE BAINOIRE



## PARTS LIST

## LISTA DE LAS PARTES

## LISTE DES PIECES

### PANELS    PANELES    PANNEAUX

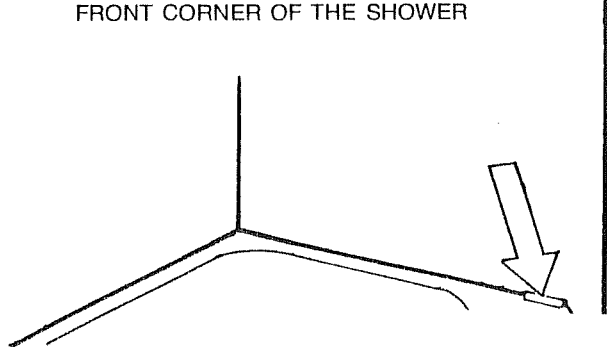
Part	Part	Pièce	Description	Descripción	Description	Qty.	Cant.	Qté
1			Door Panel 26'' (66 cm)	Panel de Puerta 26'' (66 cm)	Panneau de porte 26'' (66 cm)		1	
1			Door Panel 28'' (71 cm)	Panel de Puerta 28'' (71 cm)	Panneau de porte 28'' (71 cm)		1	
2			Door Jamb	Puerta de Ajuste	Chambranle de porte		1	

### COLOR CO-ORDINATED TRIM & HARDWARE

Part	Part	Pièce	Description	Descripción	Description	Qty.	Cant.	Qté
3			Door Latch				1	
4			Bearing Plate (1 Req.—1 Ext.)	Rolinera de Ajuste 1 + 1 extra	Plaque de support (1 requise-1 supplémentaire)		2	
5			Hinge Cap	Bisagra Plastica	Capuchon de charnière		1	
6			Top Cap	Extension Superior	Capuchon de la partie supérieure		1	
7			Mounting Channel	Canal de Montaje	Montant de support		1	
8			Hole Cover Strip	Tire Cobertora	Bande cache trou		1	
9			Splash Guard Left & Right				1 ea.	
10			Magnet Strip				1	
11			Angle Trim	Angulo de Borde	Moulure de coin		2	
12			Door Mounting Rivets	Soportos de Paneles	Rivets de montage des portes		8	
13			Drywall Anchor	Sujetador de Tornillos	Attache pour placopâtre		4	
14			#8 x 1½'' Mounting Screw	Tornillos #8 x 1½''	Vis de montage #8 x 1½''		4	

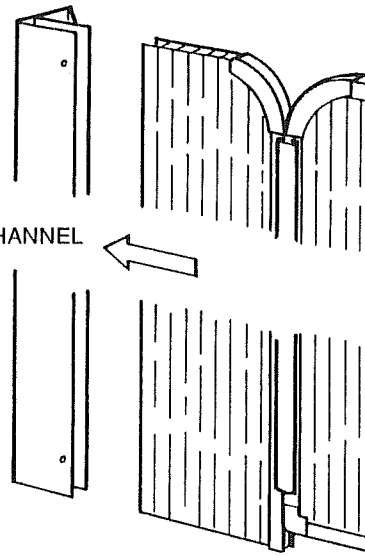
# 1. PREPARE SHOWER

1. REMOVE CAULK FROM EACH FRONT CORNER OF THE SHOWER

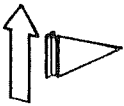


# 2. PREPARE DOOR & LATCH

2. SLIDE DOOR JAMB INTO MOUNTING CHANNEL



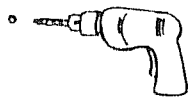
1. SLIDE SPLASH GUARDS INTO DOOR JAMB AND DOOR LATCH



PLEASE READ ALL INSTRUCTIONS BEFORE STARTING

FAVOR LEER LAS INSTRUCCIONES

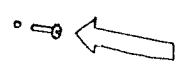
# 4. PREPARE WALL



1. DRILL 3/16" (5mm) HOLES

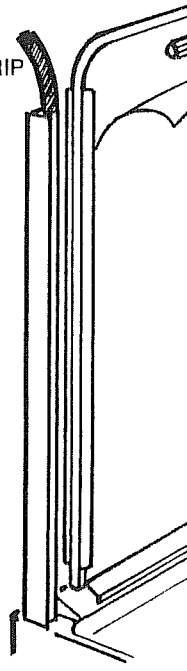


2. INSERT DRYWALL ANCHORS

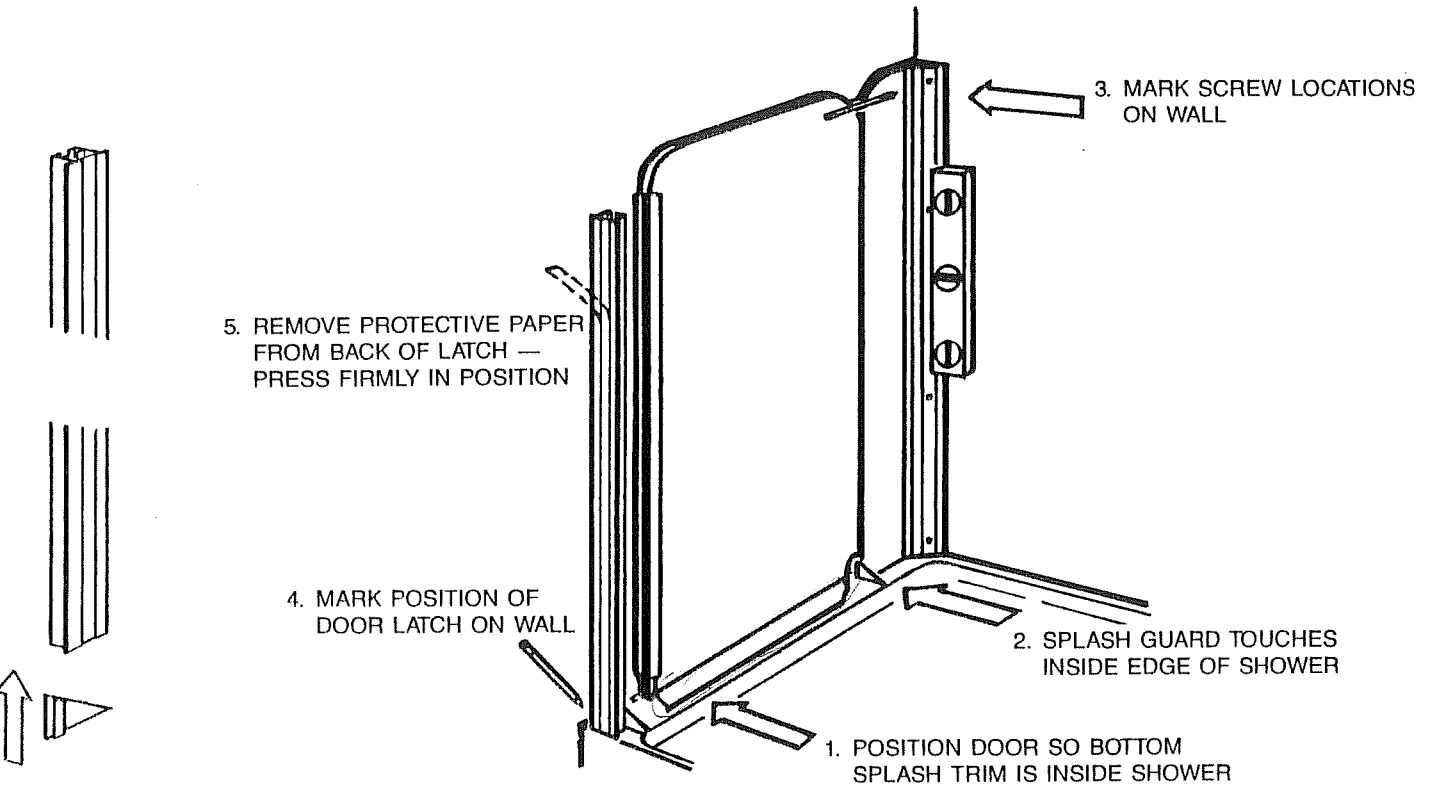


# 5. INST

2. SLIDE MAGNET STRIP INTO DOOR LATCH



### 3. TRIAL FIT DOOR

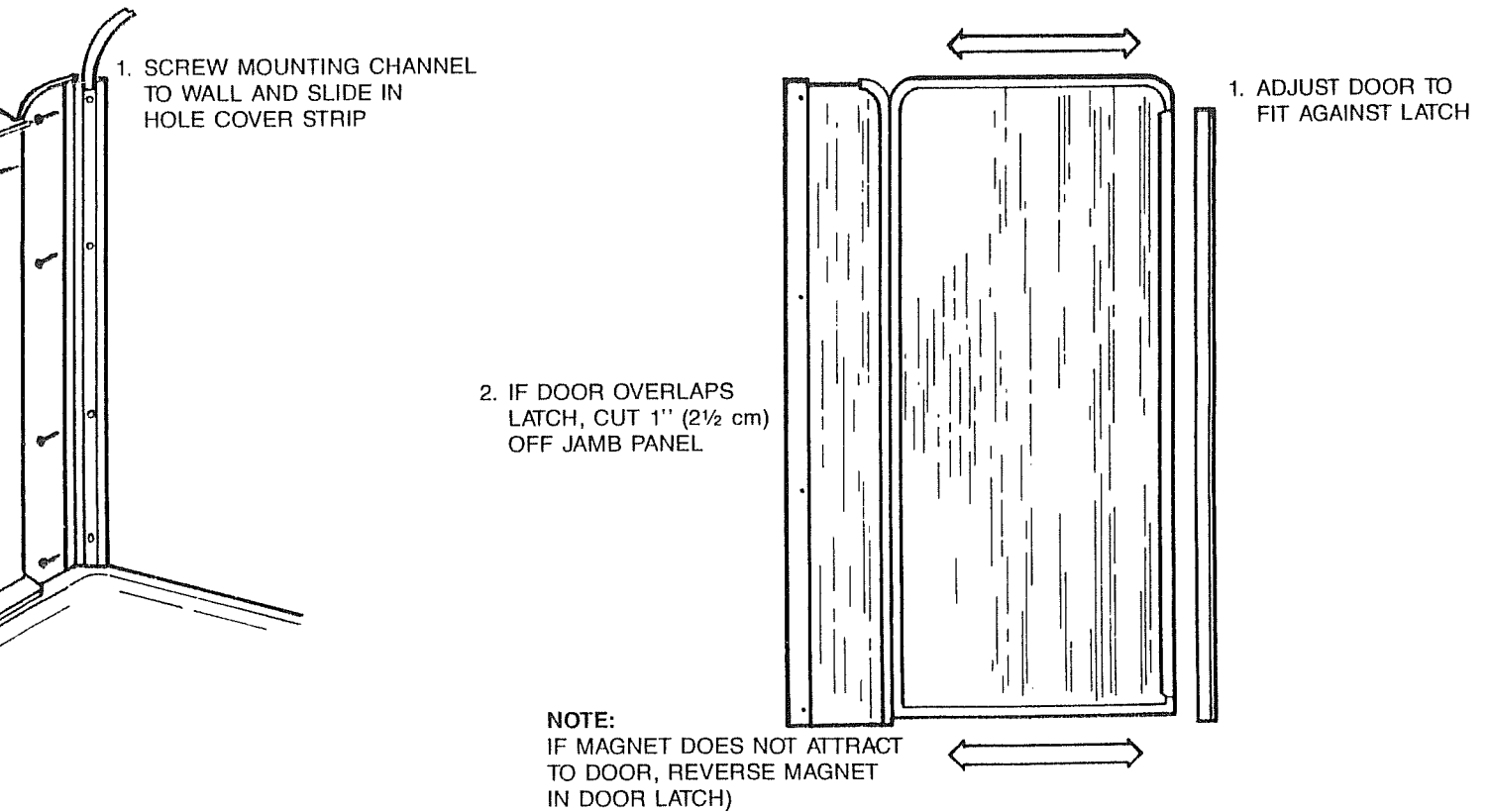


ANTES DE COMENZAR

AVANT DE COMMENCER, VEUILLEZ LIRE LE MODE D'EMPLOI

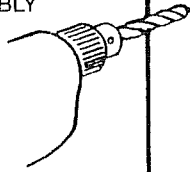
DOOR

### 6. ADJUST DOOR

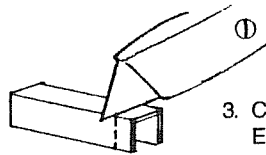


## 7. SECURE DOOR

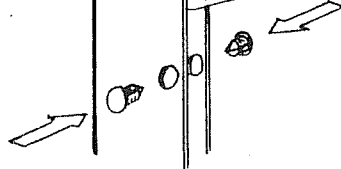
1. DRILL  $\frac{1}{4}$ " (6mm) HOLE THRU ENTIRE JAMB ASSEMBLY AT EACH PILOT HOLE



3. CUT TOP CAP TO FIT EXPOSED JAMB



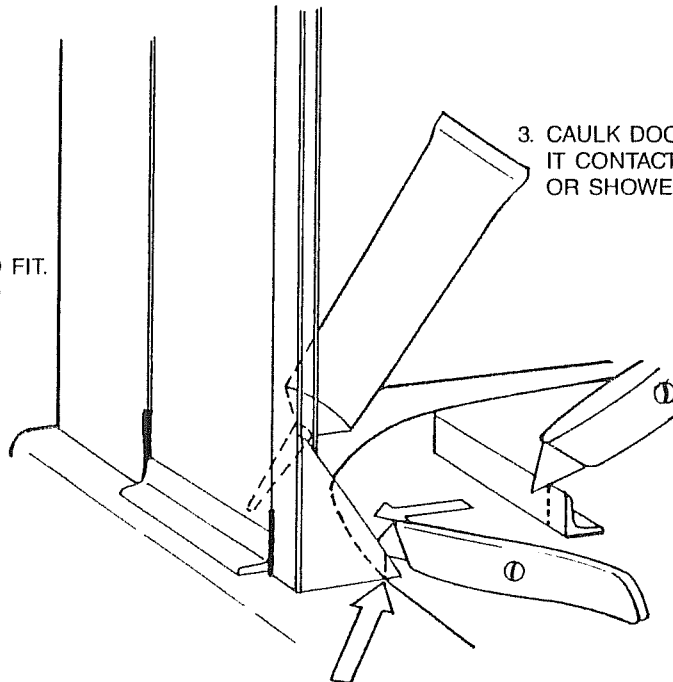
2. INSTALL PUSH RIVETS



DO NOT SNAP RIVETS TOGETHER BEFORE ASSEMBLY

## 8. FINISH DOOR

1. CUT ANGLE TRIM TO FIT. APPLY TAPE SIDE TO SHOWER BASE



3. CAULK DOOR WHERE IT CONTACTS WALL OR SHOWER BASE

2. IF SPLASH GUARD IS INSIDE SHOWER, CUT TO FIT