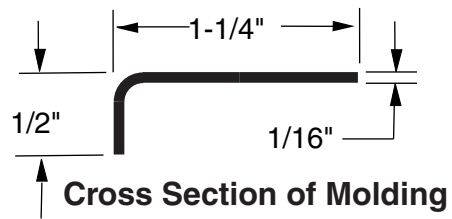
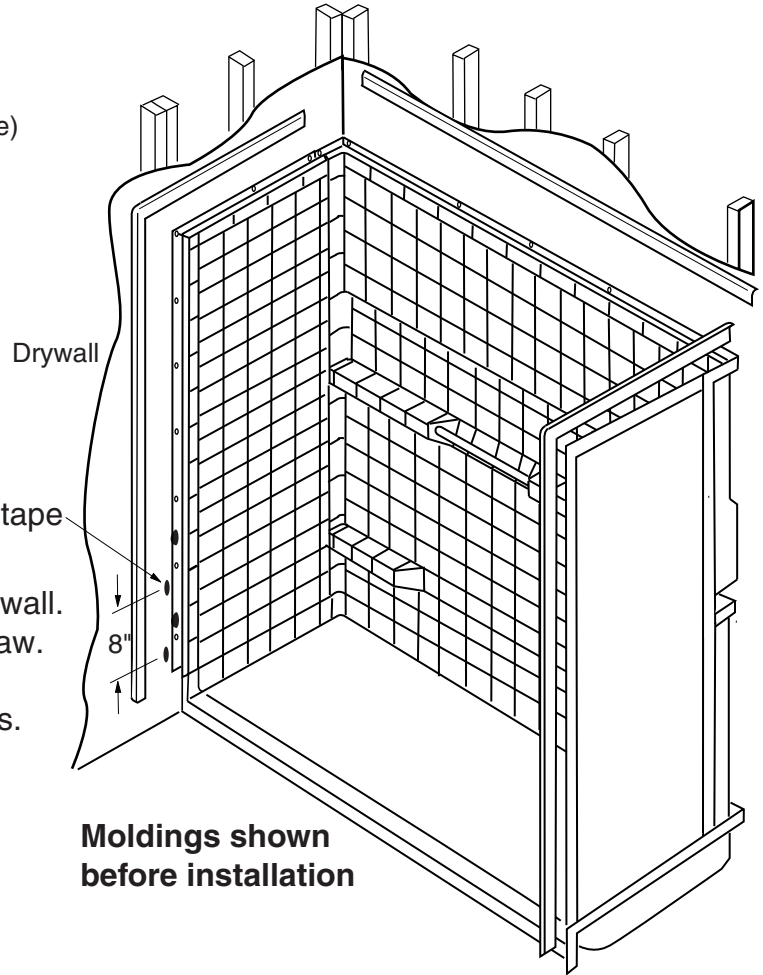


**Cross Section of Molding installed**



**Kit consists of**

- 1 ea Backwall section
- 1 ea Left front and top section
- 1 ea Right front and top section
- 10 ft. 5/16" Butyl tape 3M #8621
- 5/16" thick, 1/2" wide
- 1 ea Silicone (white)



**Moldings shown before installation**

**Installation**

Measure the distance between the drywall at the back wall. Trim or sand the molding sections to size with a hacksaw. Cut the Butyl tape in 2" pieces, fold double as needed and stick to the nailing flange and drywall at 8" intervals. Press the molding in place. Repeat with the rest of the sections. Caulk all around the edges.

**Material**

Matching gelcoat fiberglass

**Application**

For use as an easy way of covering the nailing flange where there already is drywall or other wall material BEHIND the shower or tubshower.



**Flange Trim Kit #FTK-5-125**

BEST BATH SYSTEMS	TITLE: Flange Trim Kit	SCALE :
Div. of Fiberglass Systems, Inc.	MODEL : all	SHT. 1 of 1