

# SEACHROME

SEACHROME CORPORATION  
Accessible Environments, Inc.  
Authorized National Dealer  
(800) 643-5906  
www.acesinc.com

Description:

## GSSU-300-Q SWING-UP GRAB BAR

Customer:

Customer Part #

09-15-2011

### OPERATION:

Constant Friction Hinge guides the Swing-Up Bar up and down with less than 3 lbs. of force. The Swing-Up Bar will not move of its own weight.

### ARCHITECTURAL SPECIFICATIONS

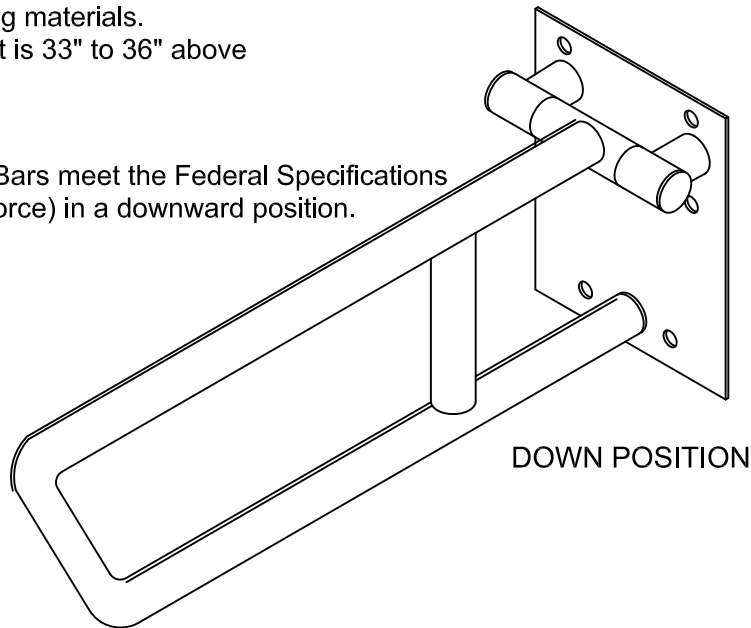
SEACHROME #GSSU-300-Q SWING-UP BAR  
from Seachrome Corp., Gardena, California 90248  
Phone: (800) 955-2476  
Mounting Plate.... 10ga., 304 Stainless Steel  
Swing-Up Bar..... 1-1/4" Dia. x 18ga., 304  
Stainless Steel Tubing.  
Constant Friction Hinge... 12ga., 304 S.S.

### INSTALLATION

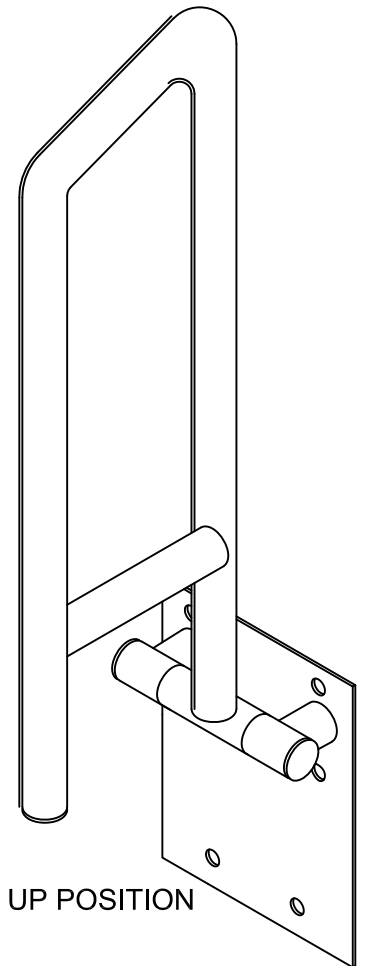
All Swing Bars must be installed using sufficient in-wall backing materials.  
A.D.A. Mounting Height is 33" to 36" above the floor level.

### LOAD RATING:

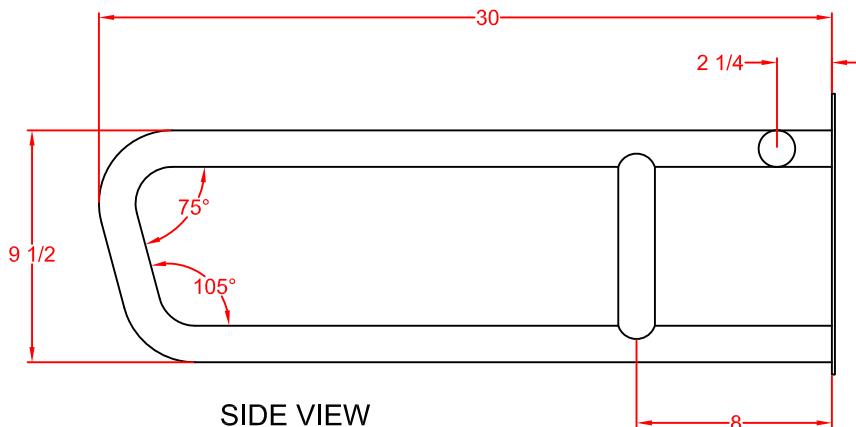
All Seachrome GSSU Bars meet the Federal Specifications of 250 lb/f (pounds of force) in a downward position.



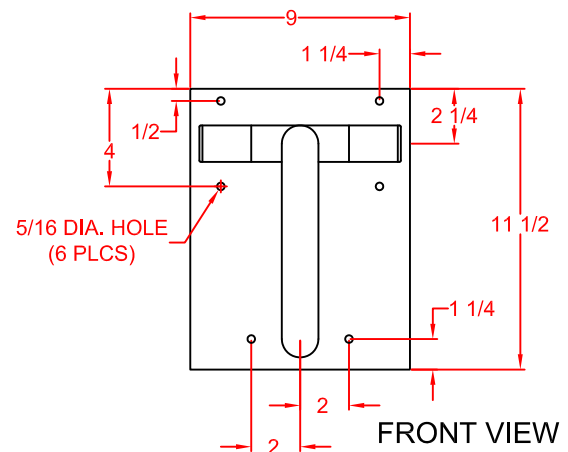
DOWN POSITION



UP POSITION



SIDE VIEW



FRONT VIEW