

Installation instructions for field trimmed Semi-permanent Threshold Adaptor Blank

Tools and supplies needed:

Tape measure Jigsaw with a medium tooth blade
 Pencil Sandpaper or file
 Scissors Silicone (100%) Bath tub Caulk, white
 Masking tape (optional)

Provided:

Threshold Adaptor Blank
 Silicone (100%) Bath tub Caulk, white
 Paper Template Blank
 Instructions

1. Take the Template Blank provided with the Adaptor Blank and the trace the (bottom to wall) radius onto it while holding the bottom of the Template Blank at the same level as that where the Adaptor will sit. Support the paper with something flat (i.e. board, book, magazine) See Figure 1.

2. Cut the Template shape out, fold it to a 90 degree angle at the line and check for fit. See Figure 2.

3. To measure the overall length of the Water Retainer:

Hold the template in position against the wall and make a mark at the highest point. See Figure 2. Repeat this on the other side.

Measure the distance between these marks and make a note of it. See Figure 3.

4. Hold the template against the side at one end of the Adaptor Blank and trace it, repeat on the other side so that the lines on top join and cut out the shape with a jigsaw.

5. Mark the length noted in step 3 on the other end and repeat the trace- and cut process as in step 3 and de-burr the edge.

6. Put the Adaptor in place and trace a pencil line on the shower bottom. See Figure 4.

7. Place a bead of silicone caulk just inside the pencil line.

8. Carefully put the threshold in position and put weights on it. See Figure 5.

9. Smooth out the excess silicone with a wet finger. Masking tape can help here. See Figure 6.

10. Caulk the ends where they meet the walls and smooth out the silicone.

11. Keep the weights in place for 12 hours.

To remove the Adaptor:

Carefully cut through all the caulk with an Exacto-type knife, holding the blade flat.

Pivot the threshold into the shower and pull it up.

Carefully remove the caulk with a single edged razor blade and "Goof Off" Remover (mfd. by Guardsman).

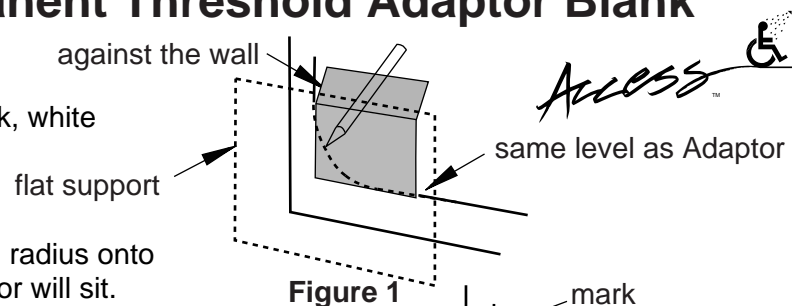


Figure 1

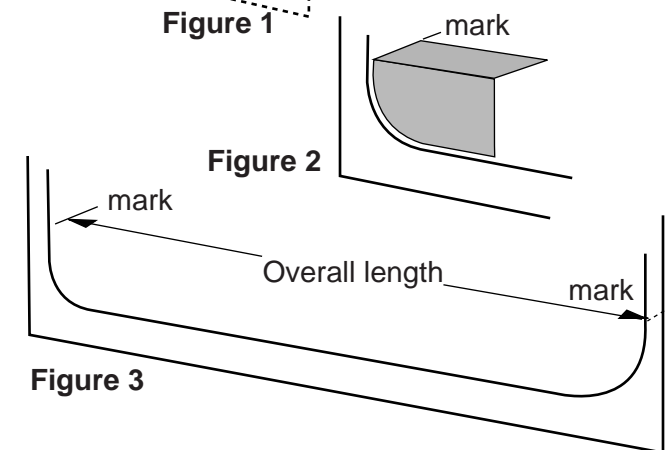


Figure 2

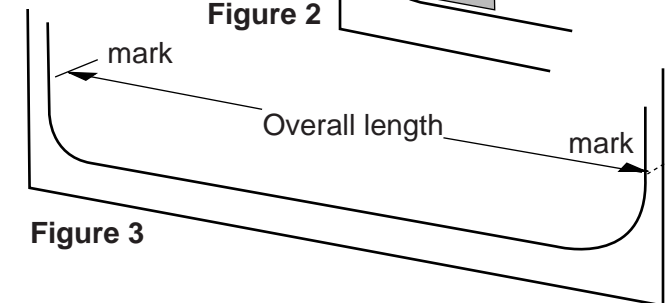


Figure 3

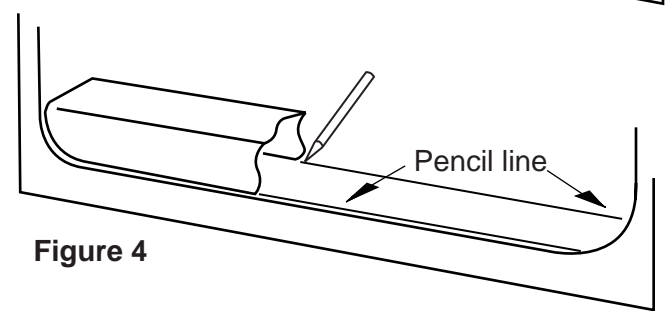


Figure 4

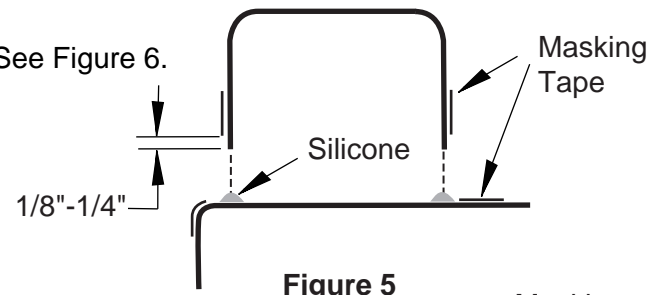


Figure 5

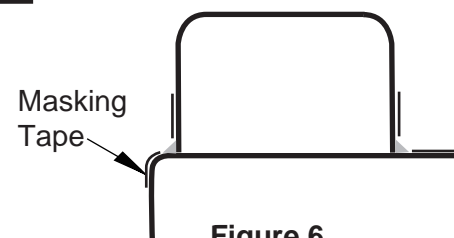


Figure 6

FIBERGLASS SYSTEMS INC.	TITLE :Installation Instructions Threshold Adaptor Blank	SCALE :
ACCESS BOISE ID.	MODEL : any non-ACCESS	SHT. OF