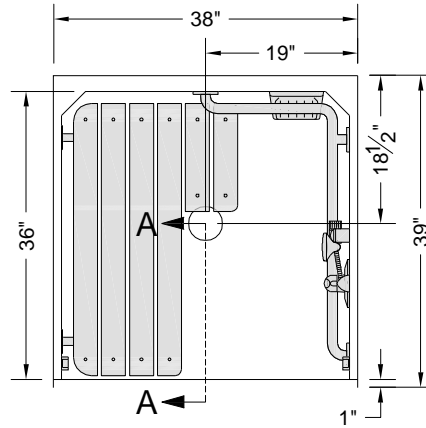
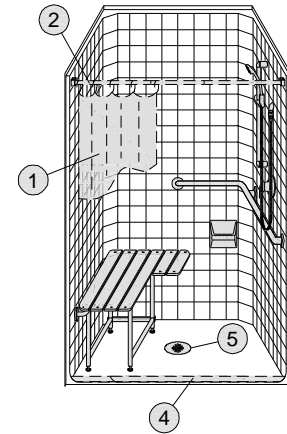




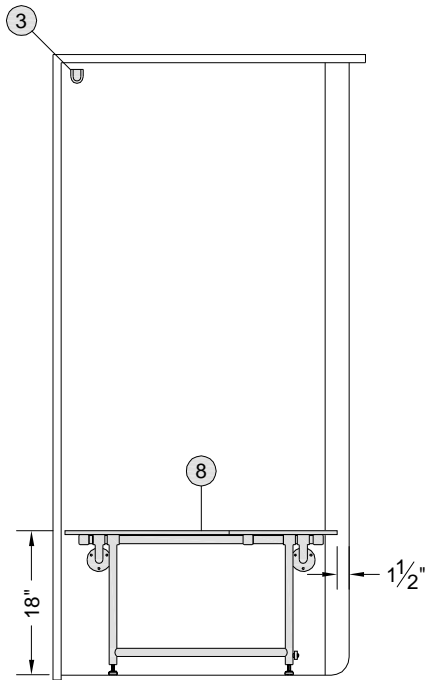
ADA COMPLIANT



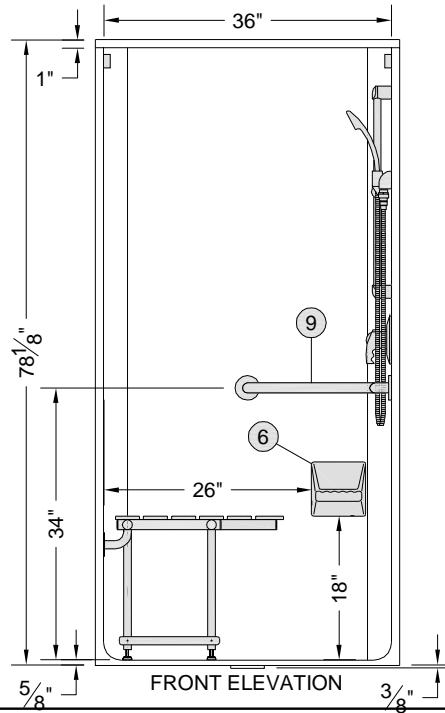
TOP VIEW



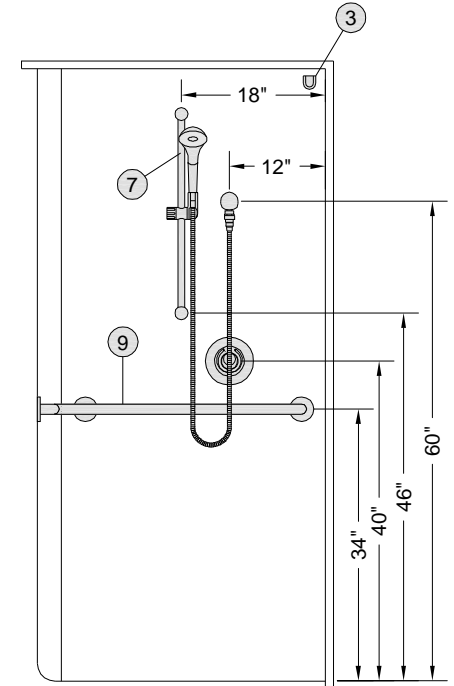
PERSPECTIVE - N.T.S.



LEFT ELEVATION



FRONT ELEVATION



RIGHT ELEVATION

-	-	-
-	-	-
-	-	-
-	-	-
-	-	-
REV	CHANGE	DATE

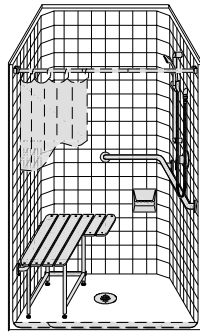
PROJECT: XXXXXXXXXX
 COMPANY: XXXXXXXXXX



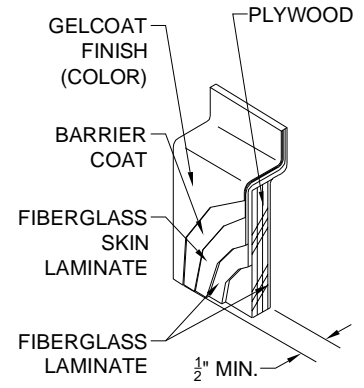
NOTES:
 ALL VERTICAL ACCESSORY DIMENSIONS ARE
 MEASURED FROM THE FLOOR OF THE SHOWER

DB:WRL	SCALE: 1/2" = 1'-0"	DATE: XX/XX/06
CB:XXX	SHEET 1 OF 2	DRAWING NUMBER: XXXXXX

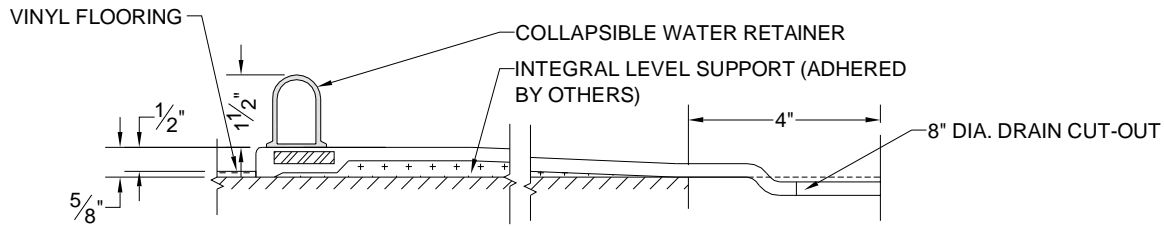
ACCEPTED AS CORRECT BY:
 X _____ / /



PERSPECTIVE N.T.S.



LAMINATE DETAIL C - SCALE: 3" = 1'-0"



SECTION A-A - SCALE: 3" = 1'-0"

UNIT WEIGHT:

NOTES:

KEY	QTY.	DESCRIPTION	COLOR	PART NUMBER	FACTORY INSTALLED	INSTALLED BY OTHERS	MARK LOCATION ONLY	PRE-DRILL HOLES
23	-		-	-				
22	-		-	-				
21	-		-	-				
20	-		-	-				
19	-		-	-				
18	-		-	-				
17	-		-	-				
16	-		-	-				
15	-		-	-				
14	-		-	-				
13	-		-	-				
12	-		-	-				
11	-		-	-				
10	-	FULL PLYWOOD BACKING	-	-	✓			
9	1	18" x 33" x 1-1/4" L GRAB BAR	-	-	✓			
8	1	34" x 21" FOLD DOWN SEAT WITH SWING DOWN LEGS, PHENOLIC	-	-	✓			
7	1	SYMMONS VALVE #15-1-X-FG & HAND HELD SHOWER ASSEMBLY: HANSGRÖHE #27712 GLIDE BAR, ALSONS #462BG, #4980BX, #4900CH AND #490-60 BG	-	-	✓			
6	1	SURFACE MOUNT SOAP DISH	-	-	✓			
5	1	SIOUX CHIEF DRAIN #827-2B	-	-		✓		✓
4	1	COLLAPSIBLE RUBBER WATER RETAINER	-	-		✓		
3	1	AQA MOUNTING BRACKET SET	-	-	✓			
2	1	CURTAIN ROD	-	-		✓		
1	1	42" x 76" CURTAIN	-	-		✓		

PARTS LIST



PROJECT: XXXXXXXXXX
 COMPANY: XXXXXXXXXX

DATE: XX/XX/06

DRAWING NUMBER:
 XXXXX

REFER TO SHEET 1 OF 2 FOR ACCESSORY LOCATIONS

SHEET 2 OF 2