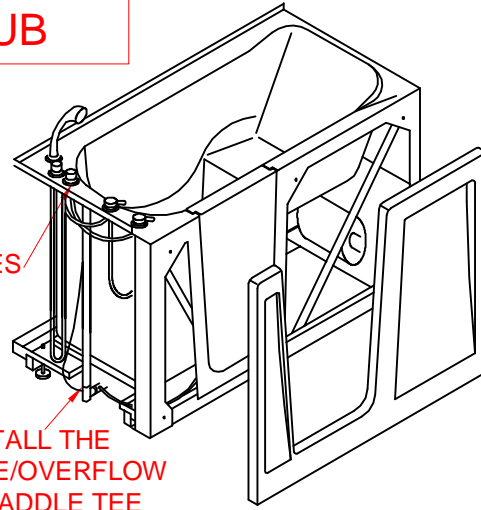


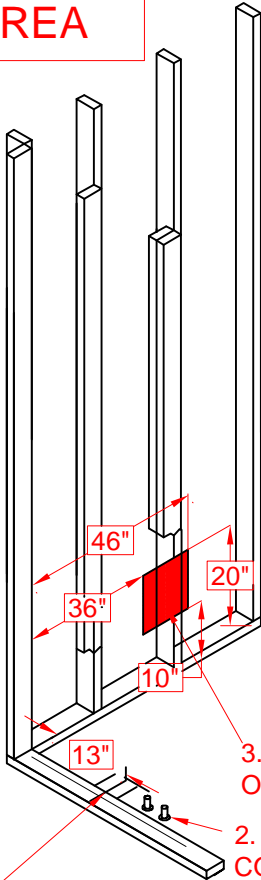
PREPARING THE TUB

1. INSTALL THE VALVES

2. INSTALL THE WASTE/OVERFLOW AND SADDLE TEE



PREPARING THE AREA

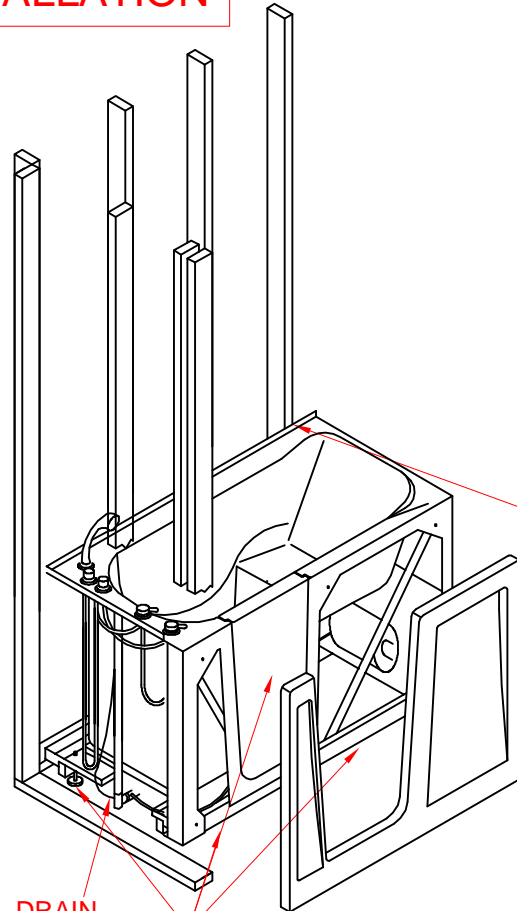


1. PREPARE THE DRAIN. MIN. 5" x 5" ACCESS HOLE FOR DRAIN PIPE

3. 110V/15A GFCI OUTLET IN THIS AREA

2. PREPARE THE HOT AND COLD WATER SUPPLY

FINAL INSTALLATION



3. SCREW TO THE STUDS

2. FINAL DRAIN- AND HOT/COLD CONNECTION

1. LEVEL THE TUB WITH SO ALL LEVELERS TOUCH THE FLOOR

Liberty XTWJ5026 Installation Instructions for corner installation (without extension)
See Page 3 for important details

4. WATER TEST
5. INSTALL ACCESS PANELS