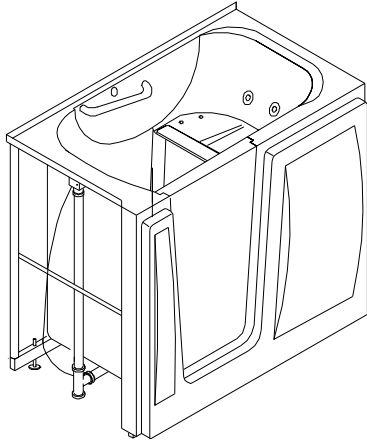
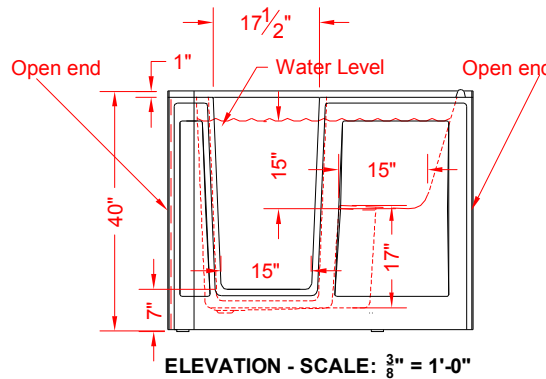
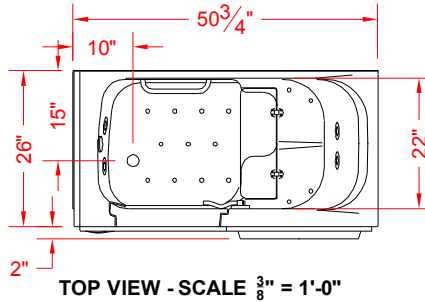


MODEL: XTWJ5026 L/R

LIBERTY



**PERSPECTIVE VIEW - N.T.S.
MODEL SHOWN HERE AS LEFT
HAND MODEL**



Features:

- Innovative door handle designed for easy operation
- Reliable door seal with a lifetime warranty
- Seat height is designed for ease of sitting and standing
- Designed to fit in the space of your current bathtub
- Allows you the freedom to rehab at home
- Extra deep for a full body soak
- Largest door opening available
- Swing up seat for easy entry
- Syllent brand jet pump: a revolutionary, ultra quiet design that helps maintain water temperature without an external heater, limiting the power requirements to just 15 Amps /110 Volt
- optional Airjet system (15 Amps /110 Volt)
- Removable equipment access panel gives easy install through a 26" bathroom door way

PRODUCT SPECIFICATIONS:

-Walk-in jetted bathtub with pressure sealed door shall be of gelcoat / fiberglass construction with a welded steel frame and have a removable front skirt plumbing and equipment.

C.S.I. FORMAT SPECIFICATION TEXT AVAILABLE

PRODUCT INFORMATION:

- Accessories: Factory installed Tub Bar, all others installed by others
- Colors: White as standard, Almond optional
- Also available with sprayable solid surface in many colors
- Fill volume with a 170 lbs. bather: 76 gallons
- Tub weight, dry, approx. 192 lbs.
- Total weight of jetted tub, bather, and water: approx. 993 lbs.

Door opening:

Top: 17-1/2"
Bottom: 15"

Power Requirements:

Water jet system 110V/15A
Airjet system 110V/15A

ACCESSORIES:

STANDARD:

- Tub bar
- Cable operated tub drain
- Syllent Brand Jet Pump with 5 directional jets and air volume control

OPTIONAL:

- Roman tub filler
- Hand shower
- Thermostatic mixing valve
- Grab bars for installation on wall surround
- Custom Tile Accenting on Wall
- Air jet system for additional therapy action using preheated air
- Window trim kit
- Flange trim kit

CODES:

Designed and manufactured in compliance with the following standards and codes:

- I.A.P.M.O. / A.N.S.I. Z124.1.2-2005 Plastic Bathtubs and Showers
- A.S.M.E. A112.19.7M-1995 Whirlpool Bathtub Appliances
- A.S.M.E. A112.19.8M-1987 Suction Fittings for use in Whirlpool Bathtubs
- A.S.M.E. A112.19.15-2001 Bathtubs / Whirlpool Bathtubs with pressure sealed doors
- Underwriters Laboratories 1795 Hydro Massage Bathtubs

Accessible Environments, Inc.
493 McLaws Circle, Suite 2
Williamsburg, VA 23185
www.acesinc.com

We reserve the right to make revisions without notice in the design of fixtures or in packaging unless this right has specifically been waived at the time the order is accepted.

Accessible Environments, Inc.
Retailer - 800-643-5906