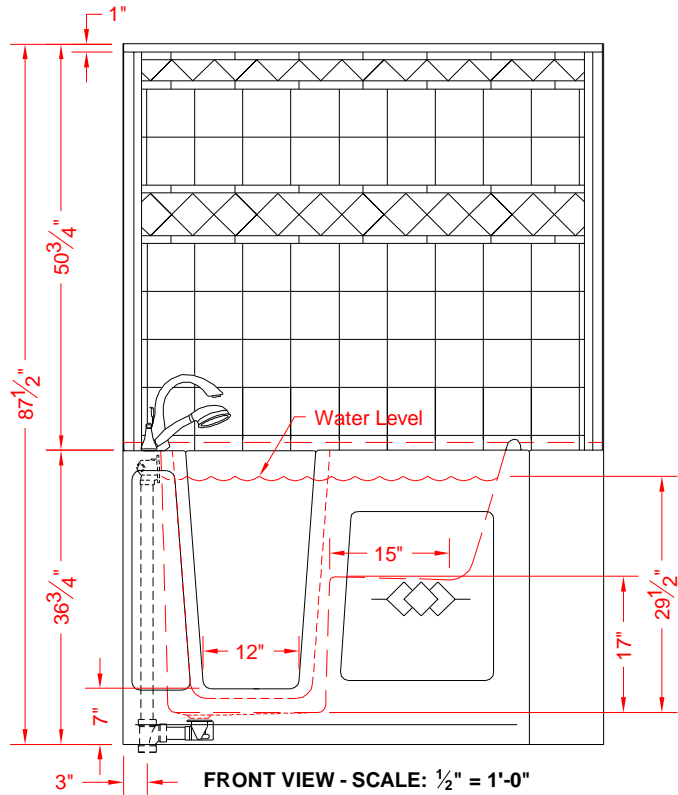
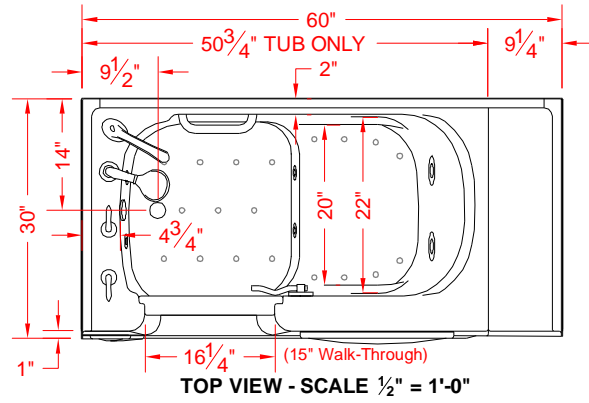
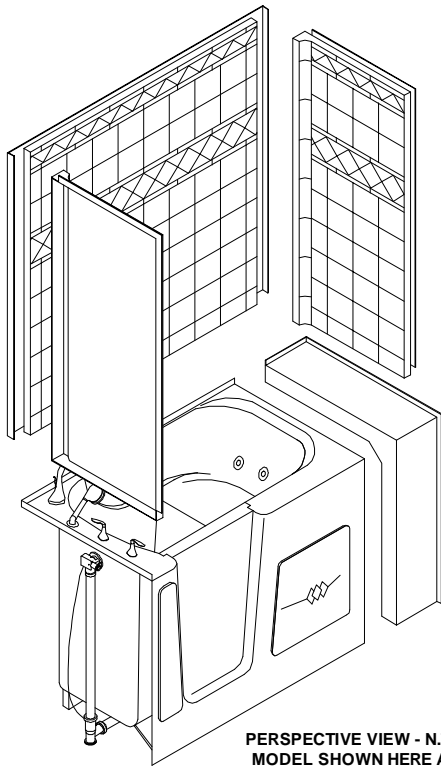


MODEL: LTOWJ5030 L/R

ESCAPE

SHOWN WITH OPTIONAL THREE PIECE WALL SURROUND AND DECK EXTENSION



Features:

- Designed to fit in the space of your current bathtub
- Seat height is designed for ease of sitting and standing
- Extra deep for a full body soak
- Innovative new door handle designed for easy operation
- Reliable door seal that comes with a lifetime warranty
- Tile Look Wall surround system with integral plywood backing and SnapJoint for quick assembly
- Syllent brand jet pump: a revolutionary, ultra quiet design that helps maintain water temperature without an external heater, limiting the power requirements to just 15 Amps/110 Volt
- Optional (heated) Airjet system (15 Amps/110 Volt)
- Allows you the freedom to rehabilitate at home
- Space under tub allows for "reverse" plumbing.

PRODUCT SPECIFICATIONS:

- Walk-in jetted bathtub with pressure sealed door shall be of gelcoat / fiberglass construction and have an integral front skirt, magnetically attached access panels for plumbing and deck/skirt extension.
 - The matching wall system shall have integral plywood backing and a SnapJoint assembly feature.
- C.S.I. FORMAT SPECIFICATION TEXT AVAILABLE

PRODUCT INFORMATION:

- Accessories: Factory installed Tub Bar and optional plumbing rough-in, all others installed by others
- Colors: White as standard, Almond optional
- Also available with sprayable solid surface in many colors
- Fill volume with a 170 lbs. bather: 59 gallons
- Tub weight, dry, approx. 174 lbs.
- Total weight of jetted tub, bather, and water: approx. 834 lbs.

Power Requirements:
Water jet system 110V/15A
Airjet System 110V/15A

ACCESSORIES:

STANDARD:

- Tub bar
- Cable operated tub drain
- Syllent Brand Jet Pump with 6 directional jets and air volume control

OPTIONAL:

- Roman tub filler
- Hand shower
- Thermostatic mixing valve
- Grab bars for installation on wall surround
- Custom Tile Accenting on Wall
- Air jet system for additional therapy action using preheated air
- Window trim kit
- Flange trim kit

CODES:

Designed and manufactured in compliance with the following standards and codes:

- I.A.P.M.O. / A.N.S.I. Z124.1.2-2005 Plastic Bathtubs and Showers
- A.S.M.E. A112.19.7M-1995 Whirlpool Bathtub Appliances
- A.S.M.E. A112.19.8M-1987 Suction Fittings for use in Whirlpool Bathtubs
- A.S.M.E. A112.19.15-2001 Bathtubs / Whirlpool Bathtubs with pressure sealed doors
- Underwriters Laboratories 1795 Hydro Massage Bathtubs

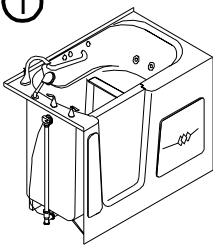


Accessible Environments, Inc.
Authorized Dealer

We reserve the right to make revisions without notice in the design of fixtures or in packaging unless this right has specifically been waived at the time the order is accepted.

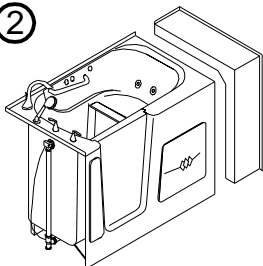
ESCAPE / ESCAPE PLUS WALK-IN JETTED BATHTUB CONFIGURATIONS AVAILABLE:

①



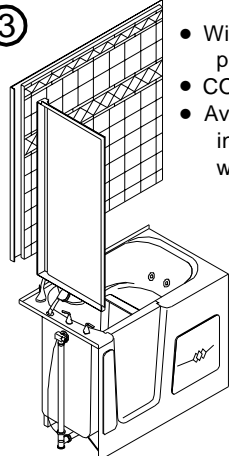
- No additional accessories included.

②



- With Deck Extension
- Fits in the space of a typical 5 ft. bathtub or shower
- Generally for an ALCOVE installation.

③

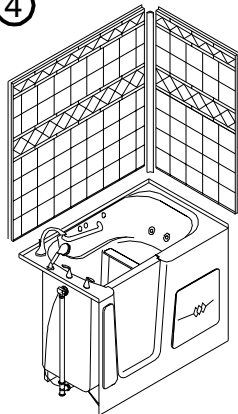


- With two walls: a back wall and a plumbing side wall.
- CORNER installation
- Available for all standard configurations in both SnapJoint* and Universal** wall systems.

* SnapJoint
2WIDWS5030 L/R

** Universal
2DWSU5030 L/R

④

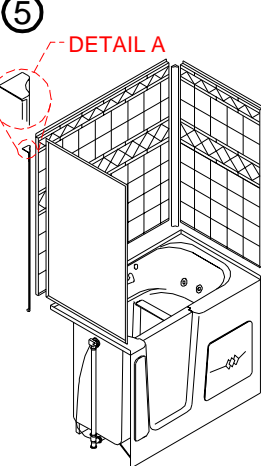


- With two walls: a back wall and an opposite plumbing side wall.
- Reverse CORNER installation
- Available for custom configurations in both SnapJoint* and Universal** wall systems.
- This configuration requires an add-on nailing flange.

* SnapJoint
2WIDWS5030 L/R

** Universal
2DWSU5030 L/R

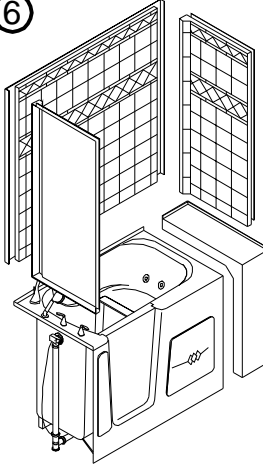
⑤



- With three walls: a back wall and two side walls.
- ALCOVE installation for a framing pocket of 50-3/4" x 30"
- Available for custom configurations or new construction in the Universal** wall system only.
- This configuration requires an add-on nailing flange.

** Universal
3DWSU5030

⑥



- With Deck Extension and three walls: a back wall and two side walls.
- ALCOVE installation for a framing pocket of 60" x 30"
- Available for all standard configurations in both SnapJoint* and Universal** wall systems.

* SnapJoint
3WIDWS6030

** Universal
3DWSU6030

*SnapJoint Wall System:

- Standard wall system for square framing
- Designed to fit all installation scenarios other than option # 5
- Quick, easy "snap-in" installation

**Universal Wall System (including Corner Trim: DETAIL A in option # 5) can be cut to accommodate:

- Option # 5
- Any configuration with out-of-square walls or framing
- Other unusual situations



Accessible Environments, Inc.
Authorized Dealer

We reserve the right to make revisions without notice in the design of fixtures or in packaging unless this right has specifically been waived at the time the order is accepted.