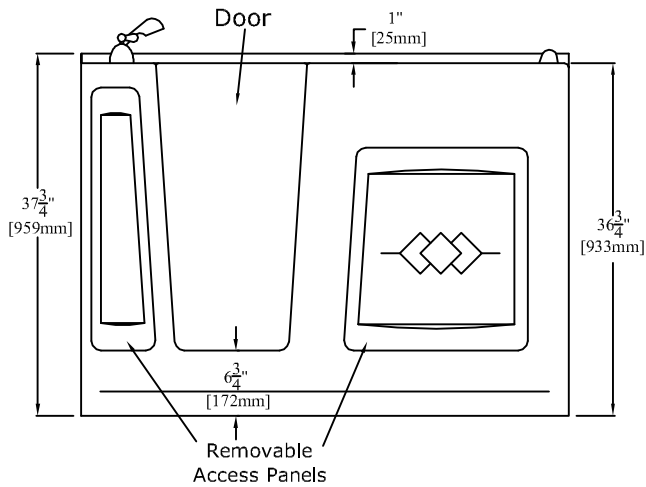
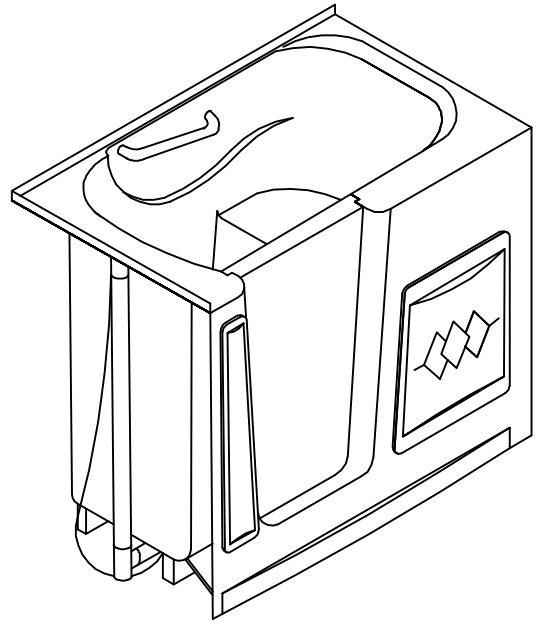


Clarion Bathware

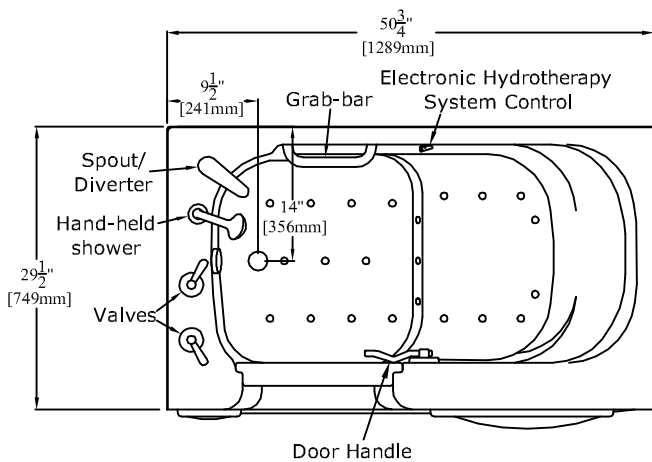


ELEVATION



PRODUCT SPECIFICATIONS:

- * Product complies with NAHB, HUD UM-73A, and ANSI-Z124.1.
- * Walk-in style bathtub with a door.
- * Available with a left or right hand drain.
- * Factory installed hydrotherapy air system with electronic controls and 22 air injectors.
- * Factory supplied, easy to install overflow and drain assembly.
- * Pre-plumbed hand-held shower, bathtub spout/diverter and water valves.
- * Supplied with 2 removable access panels.
- * 1" [25mm] nailing flange.
- * Wood reinforced & slip resistant floor.
- * Bathwell Dimensions (At top):
 - W-43 1/4" [1099mm]
 - D-22 1/2" [572mm]
 - H-33" [838mm]
- * Bathwell Dimensions (Bottom):
 - W-20 3/4" [527mm]
 - D-20" [508mm]
- * Bathwell Capacity (At Overflow):
 - 73 Gallons [276L]
- * All dimensions +/- 1/4" [6.4mm]
- * Clarion Bathware reserves the right to change design and/or dimensions.
- * Dimensions are the same for RE, RS, MP, CU and all other versions of this model.



PLAN

50 3/4" [1289mm] x 29 1/2" [749mm] Walk-in Bathtub
With a Door & 22 Jet Hydrotherapy Air System

Left Hand Version (WT5130L) Shown

WT5130L or WT5130R

50 3/4" [1289mm] x 29 1/2" [749mm] Walk-in Bathtub with a Door and 22 Jet Hydrotherapy Air System

Clarion
 BATHWARE
 44 Amsler Ave.
 Shippenville, PA 16254

Phone: (814) 226-5374
 Toll Free: (800) 576-9228
 Fax: (814) 226-0730
 www.clarionbathware.com

Signatures For Approval:

Customer: _____
 Arch./Engr: _____
 Contractor: _____
 Cla. Engr: _____

Date:

Dwg. Name:
 WT5130Lor
 WT5130R-CUT
 Dwg. By: DJC
 DATE: 6/20/08