

SAFETY TUBS®



ST5130

INDEPENDENCE. SAFETY. COMFORT. CONVENIENCE.

ST5130

INDEPENDENCE. SAFETY. COMFORT. CONVENIENCE.

THE WORLD'S BEST MIDSIZE WALK-IN TUB



Model: ST5130

Size: 51" long x 30" wide x 37" high
Operating Capacity: 60 gallons

Colors

White or Biscuit

Included

- Color matched drain & overflow
- 1 Color matched safety bar
- Slip-resistant tub floor

Whirlpool Options

Hydro Massage Jet System

- Variable speed electronic control pad
- 7 performance jets individually adjustable for flow rate & direction
- Powerful variable speed pump

Hydro Massage Air Bubble System

- Variable speed electronic control pad
- 55 channel-fed air jets for gentle massage
- Powerful variable speed heated blower

Dual Massage System

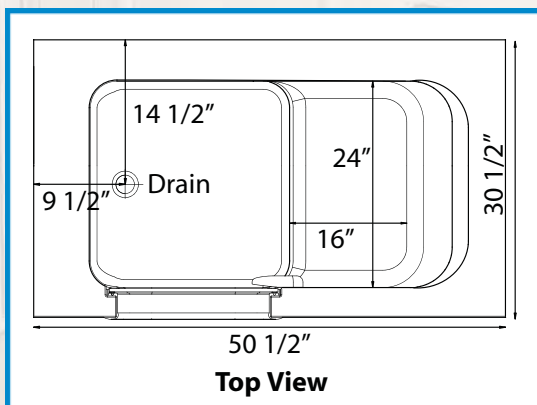
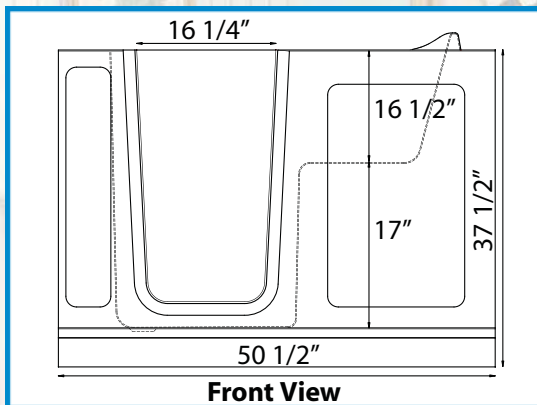
- Variable speed electronic control pad (air & jets)
- 7 performance jets individually adjustable for flow rate & direction
- Powerful variable speed pump
- 55 channel-fed air jets for gentle massage
- Powerful variable speed heated blower

Notes

- Also available as soaking tub

Other Options

- In-line heater for jet system
- Left hand or right hand door
- Extension kit to custom fit up to 70"
- End panel
- Premium faucet with personal shower
- 1/2" mixing valve




SAFETY TUBS®