

## WOOD DECK PLATE

### PRO SPA™ & THE SPA LIFT™

400 LB. MAXIMUM LIFTING CAPACITY

MANDATORY – LEAVE THIS MANUAL WITH LIFT OWNER

#### - READ CAREFULLY -

Check entire box and inside all packing materials for parts. Before beginning assembly, read the instructions and identify parts using the figures and parts listed in this document. It is critical that all parts be carefully inspected by the installer prior to installation to ensure that no damage occurred in transit and that a damaged part is not used. Proper installation cannot be overstressed, as an improper installation voids Aqua Creek's warranty and may affect the safety of the user.



**AQUA CREEK PRODUCTS**  
**3015 W. RAILROAD ST. #8**  
**MISSOULA, MT 59808**

Authorized Dealer:  
Accessible Environments, Inc.  
800-643-5906  
[www.acesinc.com](http://www.acesinc.com)

## PARTS LIST

ITEM #	QTY.	DESCRIPTION	PART USE / LOCATION
1	1	WOOD DECK PLATE	
2	3	3/8" x 1 1/4" FLATHEAD BOLT	

## INSTALLATION INSTRUCTIONS

### WOOD DECK INSTALLATION

1. Find the desired location of the lift. **NOTE: The Wood Deck Plate should be centered over a joist. If the desired location does not have a center joist, it is recommended that one be installed.**
2. The setback for the center anchor bolt must be no more than 16 3/4 inches from the spa wall. **FIGURE 1 (NOTE: For walls less than 10", the setback may be increased)**
3. Reinforce the decking by using additional 2X8 material nailed perpendicular between the center joist and the joists on either side. These reinforcing boards must be flush with the bottom of the decking material.
4. Place the deck plate at the desired location and mark the eleven anchor bolt hole locations.
5. Drill a 7/16" diameter hole at the eleven marked locations in step 4.
6. Mount the deck plate to the deck surface using ten (10) 3/8" X 4" hex head bolts, one (1) 3/8" X 8" hex head bolt (through center joist), twenty two (22) 3/8" flat washers, and eleven (11) 3/8" locking nuts. **FIGURES 2 & 3**
7. The surrounding deck joists and decking must be properly reinforced. Aqua Creek Products is not liable for any wood deck installation.

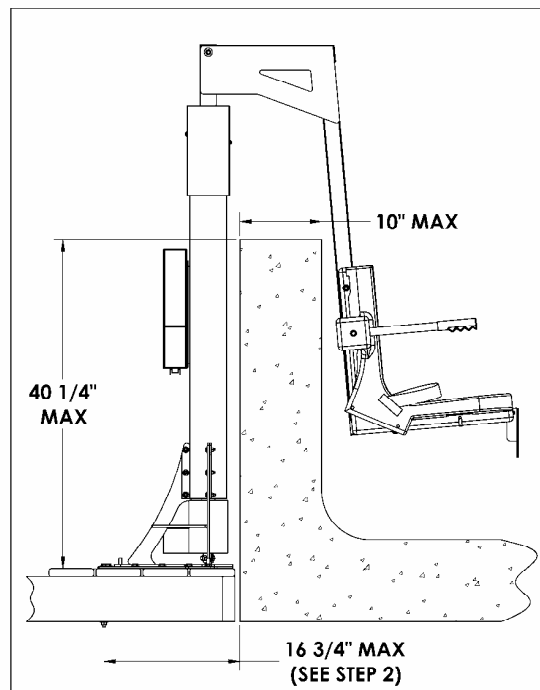


FIGURE 1

