



THE
BathBay
COLLECTION

TOTALLY IMMERSE YOURSELF IN THE WARMTH OF BATHBAY

The NEW BBS 5030 WI offers more.

More features that make installation easier. More comfort to allow you a relaxing, worry free bath. More choices so you get exactly what you want and need.

Beautiful, modern lines and a sleek, elegant appeal make the BBS 5030 WI as attractive as it is functional. With improvements such as end drain placement, an adjustable all steel frame, and an integral skirt with dual access panels, installation is faster and easier than ever. Bring back the pleasure of bathing independence with our wide, easy-entry, inward opening door and improved latch for secure closure.

BathBay let's you bathe in comfort, style, and most importantly - in independence and freedom.

BBS 5030 WI
49.75" x 30" x 37.875"



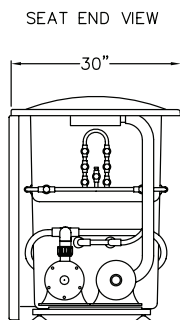
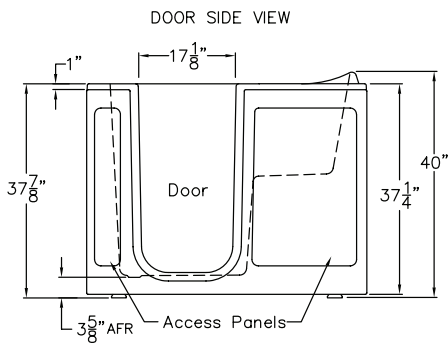
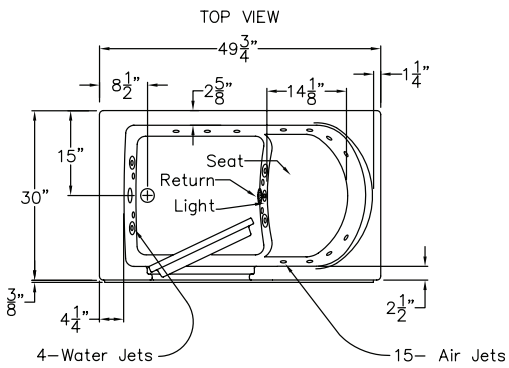


THE
BathBay
COLLECTION

The BathBay Series 5030 Walk-In Tub is perfect for the independent minded bather. Featuring a secure, wide opening door that allows for easy entry and exit over the low threshold the BBS 5030 WI is the perfect bathtub for anyone wanting the freedom of bathing. The large, spacious bathing well provides plenty of room for a deep, warm soaking bath or an invigorating whirlpool.

Available Features:

- AeroBath: Bathtub with 24 air jets
- Whirlpool: Bathtub with 6 whirlpool jets
- AeroWhirl: Combination of air and whirlpool jets
- Soaker Tub: Bathtub only



BBS 5030 WI

49.75" x 30" x 37.875"

Inside Dimensions:

Foot Well: 23.5" x 23.5"
At Top: 42.5" x 25.5"

Handed By:

Drain L/R

Door Opening Dimensions:

17.125" Wide at Top
14.375" Wide at Bottom
34.25" Tall

Capacity:

95 Gallons to Overflow
70 Operating Gallons

Weight:

Gelcoat Empty:	182 lbs
Gelcoat Full:	972 lbs
Solid Surface Empty:	207 lbs
Solid Surface Full:	997 lbs

Seat Height: 20.625" from bathroom floor
15.875" from tub floor

Drain Included with Unit

Optional In-Line Heater

Electrical Requirements:

Pump:	120V, 60Hz, 15 Amps, Dedicated GFCI
Blower:	120V, 60Hz, 15 Amps, Dedicated GFCI
Heater:	120V, 60Hz, 15 Amps, Dedicated GFCI

Codes: This unit complies with ANSI Z 124 and shall meet the requirements for Uniform Plumbing Code administered by NAHB.

Due to the nature of the materials, dimensions may vary +/- 0.5".