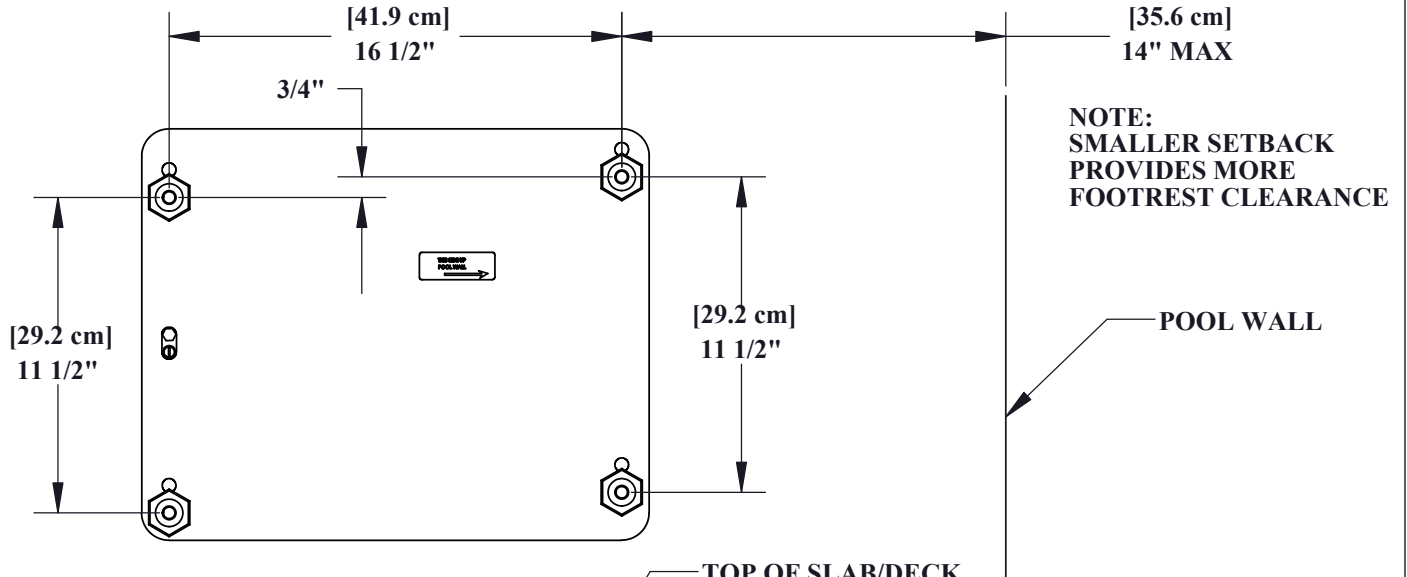
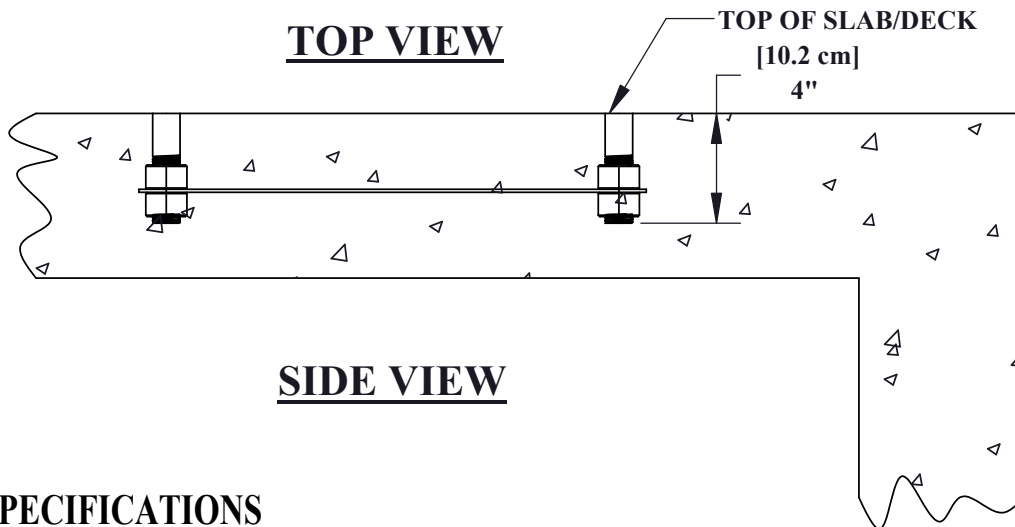


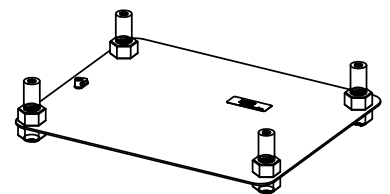
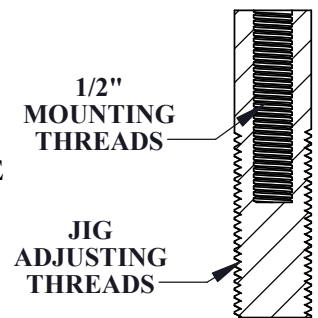
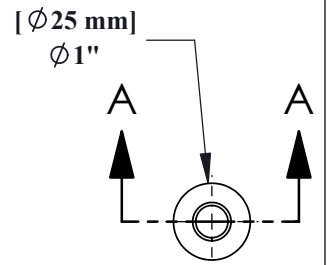
# PRO POOL LIFT ANCHOR



**TOP VIEW**



**SIDE VIEW**



## **SPECIFICATIONS**

THE AQUA CREEK PRO POOL ANCHOR ASSEMBLY SHALL CONSIST OF FOUR (4) 1" [25 mm] ANCHOR SOCKETS MOUNTED IN A 3/16" [4.8 mm] JIG PLATE. THE ANCHOR SOCKETS SHALL BE ADJUSTABLE WITHIN THE JIG PLATE. THE ANCHOR SOCKETS SHALL BE REMOVABLE FOR RETRO-FIT PLACEMENT IN AN EXISTING POOL OR SPA DECK.

MANUFACTURER RECOMMENDS THAT THE ANCHOR ASSEMBLY BE GROUNDED PER LOCAL CODES.

ANCHOR SOCKET: Ø1" [Ø25 mm] TYPE 304 STAINLESS STEEL

ADJUSTING NUT: 1"-8 HEX NUT - TYPE 304 STAINLESS STEEL

JIG PLATE: 3/16" [4.8 mm] STEEL PLATE

Accessible Environments, Inc.  
Authorized Dealer  
(800) 643-5906



**Aqua Creek Products**

The Total Solution for Pool and Spa Access

NOTE:  
\*SPECIFICATIONS ARE SUBJECT TO CHANGE WITHOUT NOTICE  
\*ALL DIMENSIONS ARE IN INCHES

PRODUCT:	F-433PP4A	
DWG #:	F-433PP4A-1	
SCALE:	1:6	DATE: 6/12/08
DRAWN BY:	DS	REVISION: F