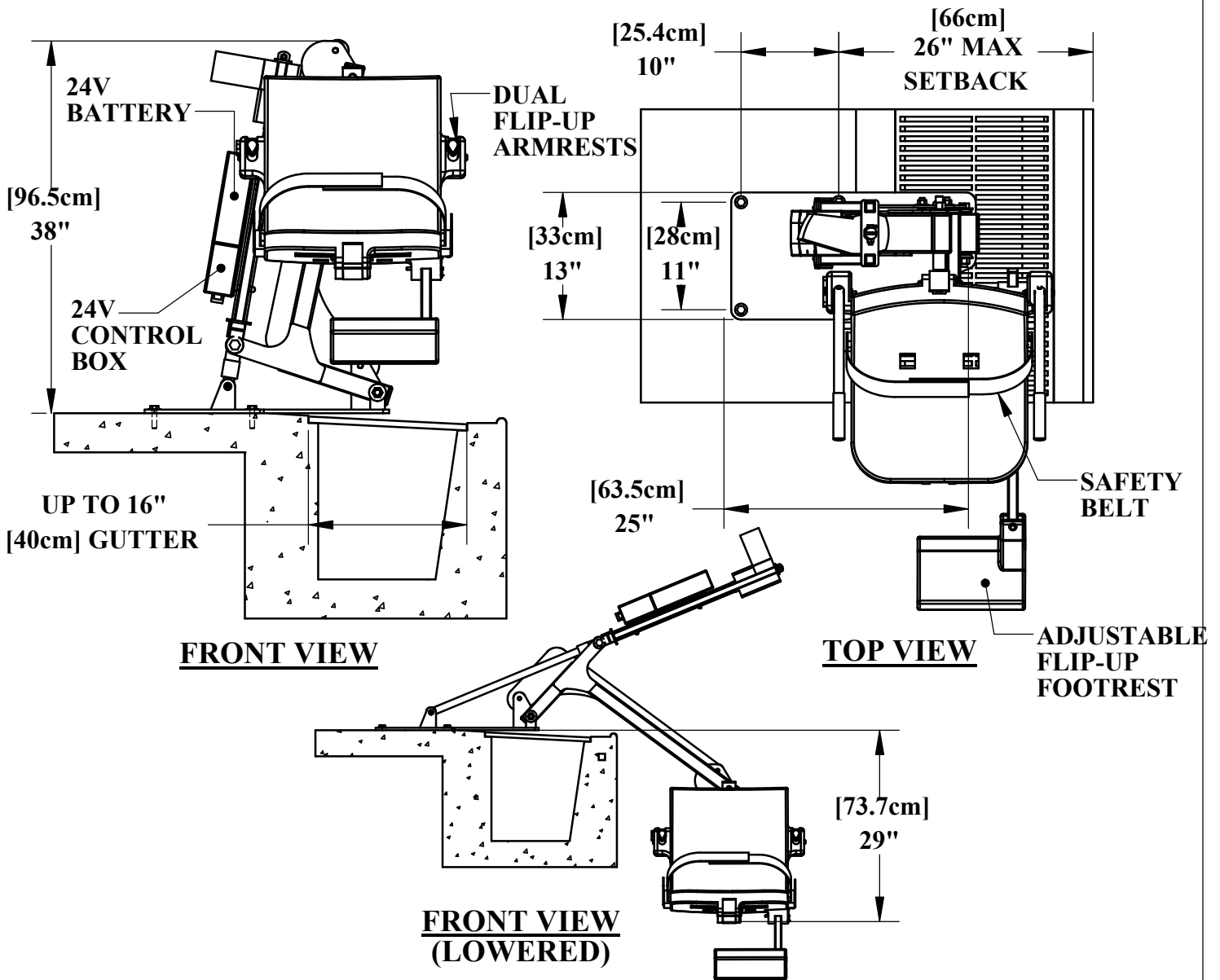


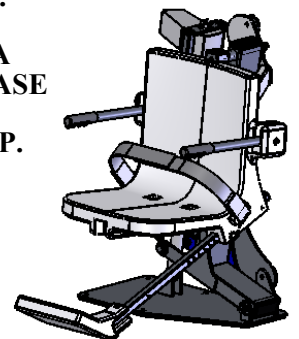
# PRO POOL LIFT™ EXTENDED BASE 26



## SPECIFICATIONS:

THE AQUA CREEK PRO POOL EXTENDED BASE LIFT SHALL BE CONSTRUCTED TO THE SAME SPECIFICATIONS AS THE STANDARD PRO POOL LIFT, WITH THE STANDARD BASE PLATE REPLACED BY A 3/8" [9.5mm] THICK STAINLESS STEEL BASE PLATE. THE EXTENDED BASE PLATE SHALL EXTEND THE SETBACK RANGE TO A MAXIMUM OF 26" [66cm], WHILE ALLOWING THE LIFT TO BE INSTALLED OVER A MAXIMUM OF 16" [40cm] WIDE ZERO DRAFT GUTTER. THE PRO POOL EXTENDED BASE SHALL MOUNT TO A SOLID DECK USING FOUR (4) 1" [2.4cm] ANCHOR BODIES ARRANGED IN A RECTANGULAR PATTERN 11" [27.9cm] WIDE BY 10" [25.4cm] DEEP.

BASE PLATE: 3/8" [9.5mm] TYPE 304 STAINLESS STEEL  
 MAIN HOUSING: 2" x 4" x .120" [5.1 x 10.2 x .30 cm] TYPE 304 STAINLESS STEEL TUBE  
 CHAIR AND FOOTREST: UV STABILIZED POLYETHYLENE (LLDPE)  
 ACTUATOR: 24" [600mm] STROKE LINAK LA34 LINEAR ACTUATOR  
 FINISH: UV RESISTANT EPOXY POWDER COATING



Accessible Environments, Inc.  
 Authorized Dealer  
 (800) 643-5906

**Aqua Creek Products**

The Total Solution for Pool and Spa Access

NOTE:  
 \*SPECIFICATIONS ARE SUBJECT TO CHANGE WITHOUT NOTICE  
 \*ALL DIMENSIONS ARE IN INCHES

PRODUCT:	F-004PLB-26	
DWG #:	F-004PLB-26-1	
SCALE:	1:16	DATE: 6/4/09
DRAWN BY:	DS	REVISION: C