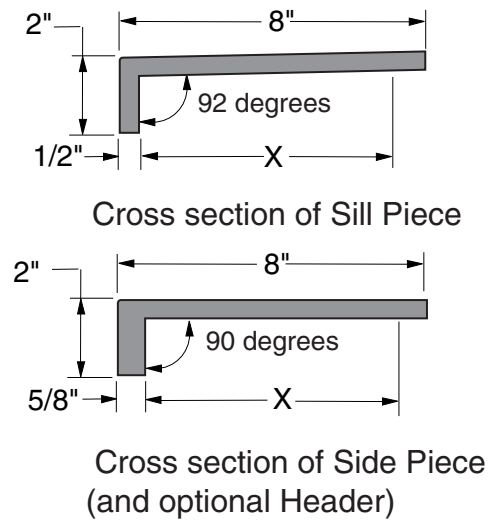
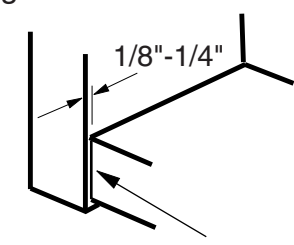


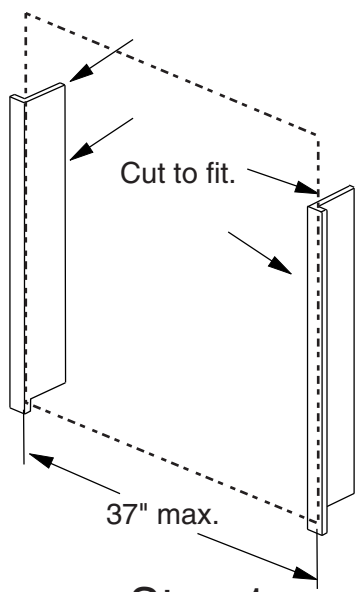
Window Trim Kit contents:
 A 1 ea 36" long Sill Piece (92 degrees for drain-off)
 B 2 ea 36" long Side pieces (90 degrees)
 C 2 ea Top Trim Pieces
 D 1 ea 24" strip of Butyl Tape
 E 1 ea white 100 % silicone
 F OPTIONAL 1 ea 36" long Header piece (90 degrees)
 1 ea Specification/instructions sheet



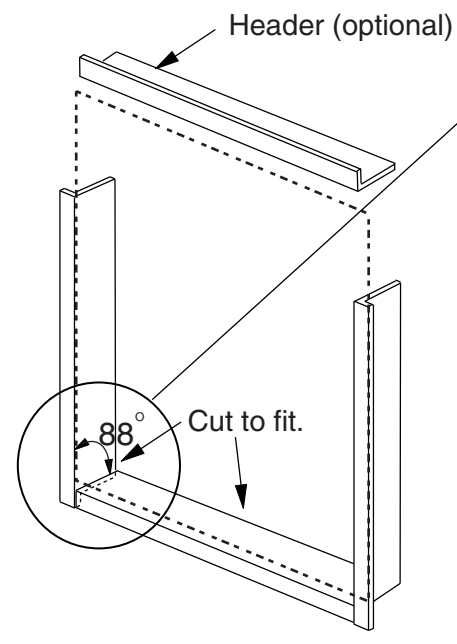
Material:
 1/2" thick cast polyester with matching gelcoat finish



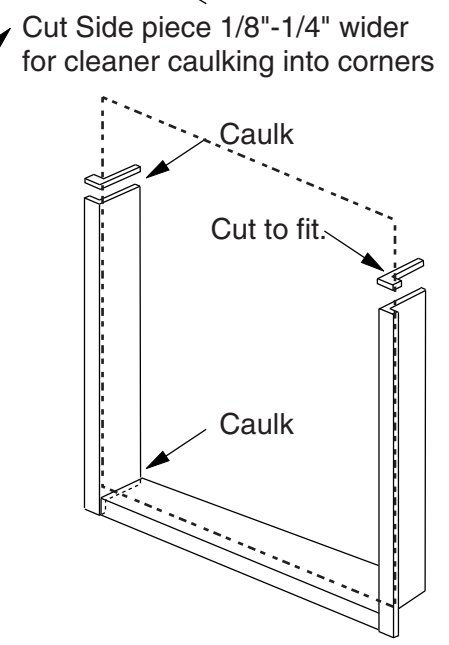
Installation



Step 1
 Cut* Side Pieces to length and width and install with butyl tape.



Step 2
 Cut Sill Piece to length and width (cut slightly narrower than sides pieces) and install TIPPED FORWARD approx. 2 degrees or 1/16" - 1/8" for water run-off.



Step 3
 Cut Top Trim Pieces to fit and install.

Step 4
 Caulk all joints and corners.

*Cut with a jig saw with bi-metal blade where edge chipping will not be covered with silicone or otherwise with a power saw.

Window Trim Kit WTK37 and WTK37H (with header)

BEST BATH SYSTEMS Div. of Fiberglass Systems, Inc.	TITLE: Window Trim Kit for windows up to 37" MODEL: WTK 37 and WTK37H	SHT. 1 of
---	--	-----------