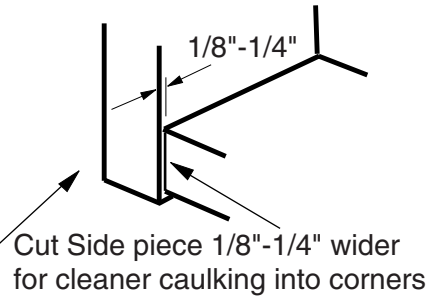
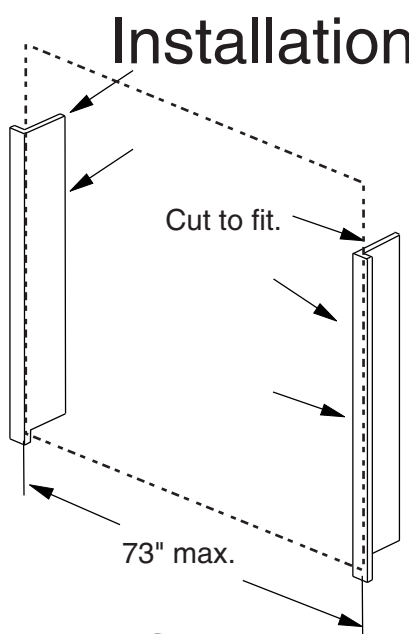


Material:
 1/2" thick cast polyester with matching gelcoat finish

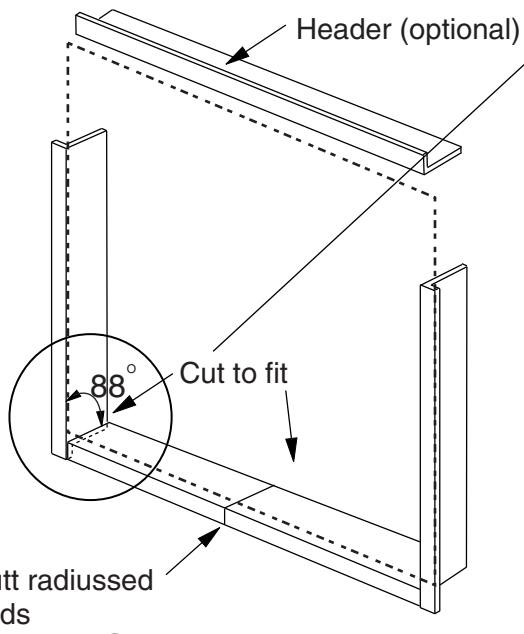


Installation



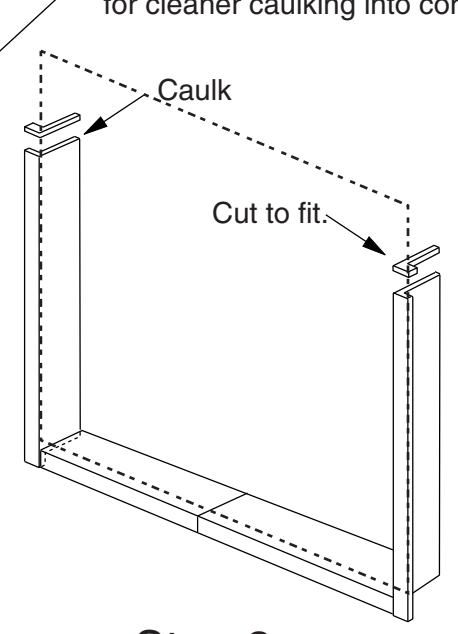
Step 1

Cut* Side Pieces to length and width and install with butyl tape.



Step 2

Cut Sill Pieces to length and width (cut slightly narrower than sides pieces) and install TIPPED FORWARD approx. 2 degrees or 1/16" - 1/8" for water run-off.



Step 3

Cut Top Trim Pieces to fit and install.

Step 4

Caulk all joints and corners.

*Cut with a jig saw with bi-metal blade where edge chipping will not be covered with silicone or otherwise with a power saw.

Window Trim Kit WTK73 and WTK73H (with header)

BEST BATH SYSTEMS Div. of Fiberglass Systems, Inc.	TITLE: Window Trim Kit for windows up to 73" MODEL : WTK 73 and WTK73H	SHT. 1 of
---	---	-----------