



division of Fiberglass Systems, Inc.
Accessible Environments, Inc, Authorized National Dealer
www.acesinc.com (800) 643-5906 Williamsburg, Virginia USA

Specifications

Snap-in Curtain Rod Holder

AQA #22

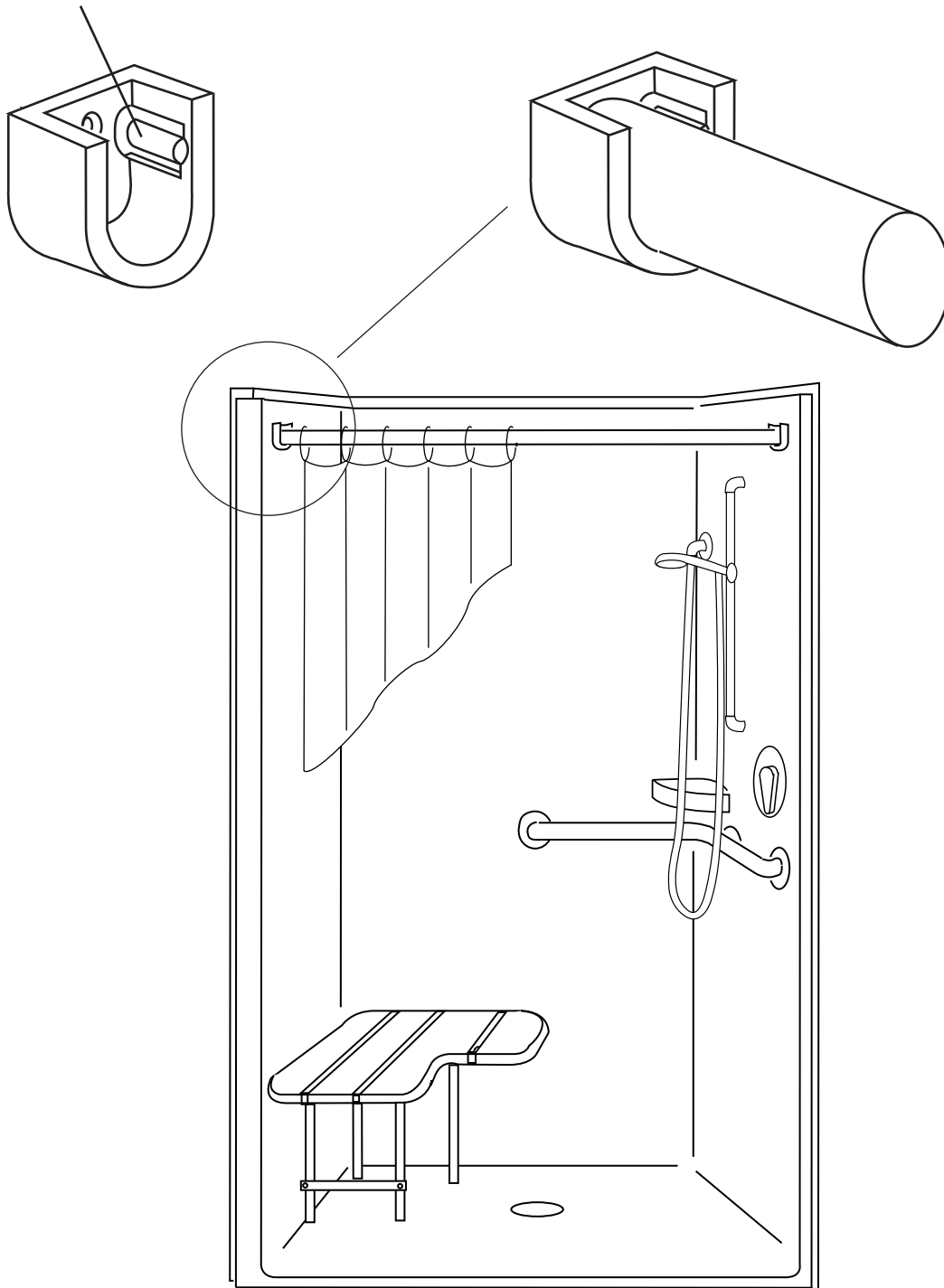
Fits: our 1" diameter stainless steel Curtain Rod

Material: Injection Molded Plastic

Color: Light Putty/Off White

Installation: 2 ea # 8 x 3/4" 316 stainless Shark-Tooth Phillips head screws

Springloaded holders keep the Curtain Rod secure while allowing instant removal





division of Fiberglass Systems, Inc.
Accessible Environments, Inc, Authorized National Dealer
www.acesinc.com (800) 643-5906 Williamsburg, Virginia USA

Specifications

Curtain Rod

ROD: 20 gauge satin stainless steel, 1 " diameter

