



THANK YOU...

Thank you for purchasing the P.T.Rail™ Floor Mast. We are confident that you will find the unique design and durable construction of this product to be of great assistance in your daily routine.

To fully enjoy your P.T.Rail™ Floor Mast, please take a few moments to read these instructions. You should store these instructions in a safe place for future reference.

SAFETY CONSIDERATIONS

CAUTION: It is your responsibility to see that your P.T.Rail™ Floor Mast is properly assembled, installed, and cared for. Failure to follow instructions in this manual could result in serious injury.

P.T.RAIL™ INSTALLATION / MAINTENANCE

The P.T.Rail™ Floor Mast should only be installed in areas where the mounting surface is structurally sound. If you are not equipped to undertake the outlined work we recommend that you have your P.T.Rail™ installed by a qualified contractor. Suggested maximum user weight 400lbs/181kg, however this rating is conditional upon suitable fasteners and supporting surface.

FASTENERS

The P.T.Rail™ Floor Mast must be secured to the floor with fasteners appropriate to the structural material. Install structural floor reinforcement if necessary. Fasteners must be rated for upto 600 lbs retention force each for maximum weight capacity. Inspect, or have inspected (and tighten if necessary) the screws on a monthly basis. **NOTE:** Due to variances in needs, materials and local construction methods, you should consult the appropriate local professionals for best advice.

WARRANTY

All HealthCraft™ Products are covered by a one year limited warranty with the exception of hand grips which are subject to normal wear. Buyer hereby indemnifies, agrees to hold harmless and defend HealthCraft™ Products Inc. from and against any and all liabilities, claims, (founded and unfounded), losses, damages, costs and expenses (including without limitation consequential damages and reasonable professional fees) resulting from buyers specification, application, or improper use of goods described hereon; buyers omission or neglect.

HealthCraft™ Products Inc. does not assume any liability for damage resulting from services performed by others or faulty installation, misuse or misapplication of goods sold by HealthCraft™ Products Inc.

HealthCraft™ Products Inc. shall not be liable for prospective profits or special, indirect, or consequential damages, or for the cost of any corrective work done without HealthCraft™ Products Inc. prior approval. HealthCraft™ Products Inc. total liability hereunder shall in no event exceed the purchase price of the goods specified hereon.

INSTALLATION INSTRUCTIONS

1. First read P.T.Rail™ instructions to determine the desired location beside the toilet (side to side position, distance from wall, etc). Consider possible interference when rail is in both down and folded up positions.
2. Hold the P.T.Rail™ in place beside the toilet and determine the necessary location of the mast. Mark floor hole locations.
3. Install the mast to the floor using appropriate fasteners (not included) as shown in **Figure 1**.
4. Attach the clamp plate (2) to the P.T.Rail™ wall plate (1) as shown in **Figure 2**. **Note:** The clamp plate pad should face towards the P.T.Rail™. Configure as follows: 3/8" bolt (4), lock washer (4), P.T.Rail™ wall plate (1), cover sleeve (5), clamp plate (2), nut (6) and flat washer (7). Leave the bolts loose.
5. Slide the P.T.Rail™ and clamp plate over the floor mast. Hold them at the desired height (H) as shown in **Figure 3**. Using the supplied hex key tighten each screw until it is snug. Perform a final tighten of each screw to approximately 17 ft-lbs torque using the pattern as shown.
6. Cover the screw heads with the supplied caps (8) as shown in **Figure 2**. Test the P.T.Rail™ for suitable rigidity.

Your P.T.Rail™ Floor Mast is now installed.

Figure 1.

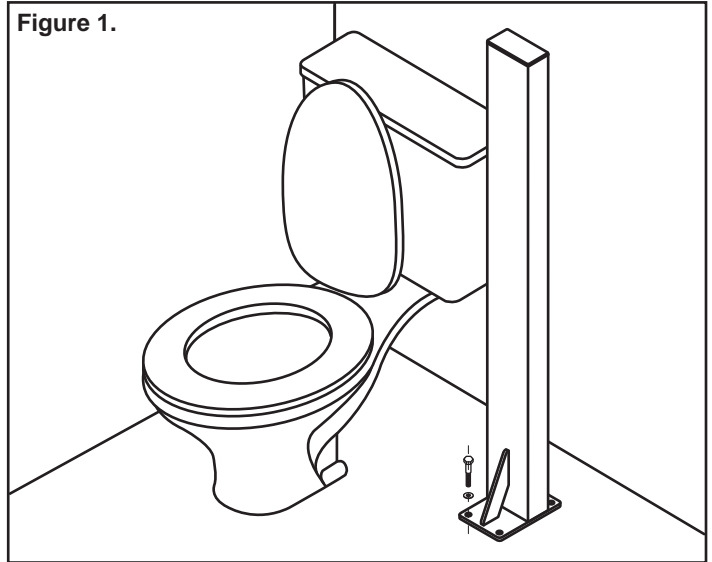


Figure 2.

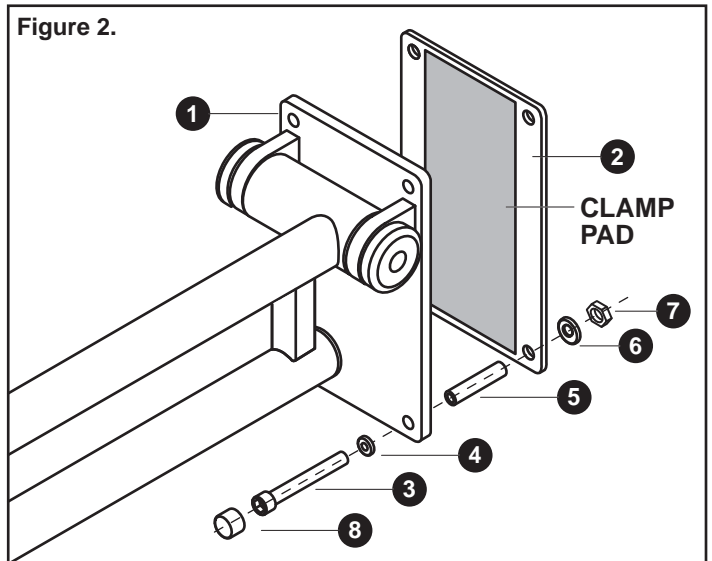
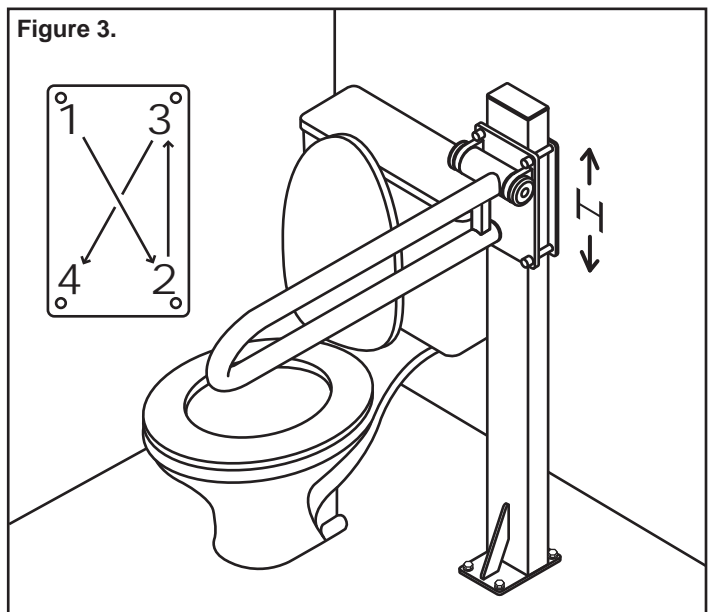


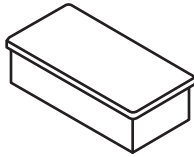
Figure 3.



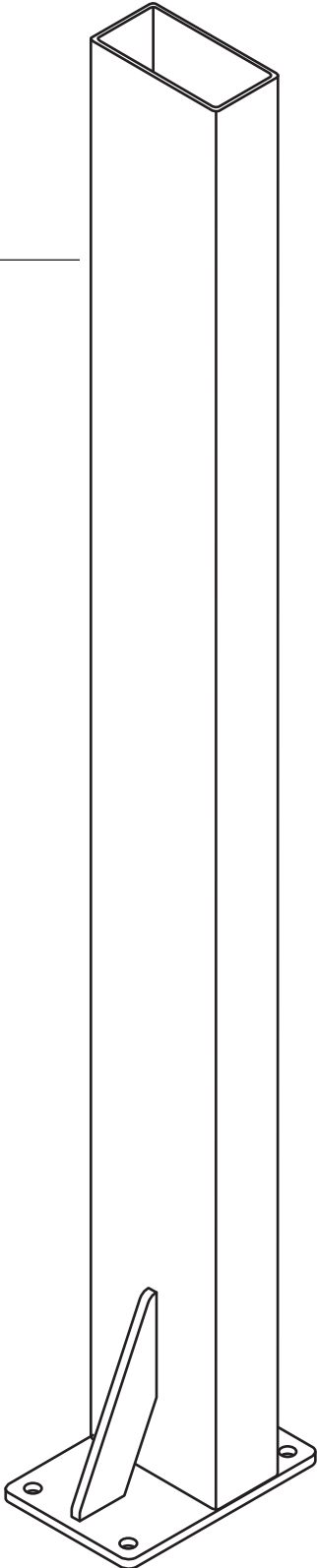
WR157: FLOOR MAST ASSEMBLY

WR158: CLAMP PLATE ASSEMBLY

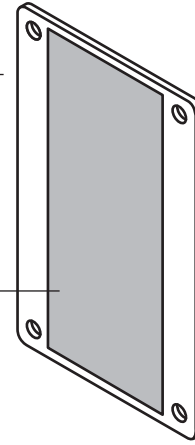
HW516
Rectangular
Cap, 2x4"



WR155
Floor Mast
Weldment



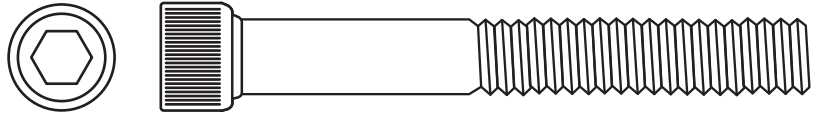
WR152
Clamp Plate



WR154
Clamp Pad

HARDWARE

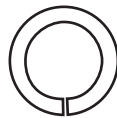
HW182 Screw, SHCS, 3/8"-16 x 3", 18-8 S/S **x4**



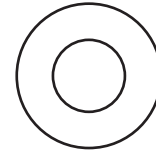
WR111C Cover Sleeve, Plastic **x4**



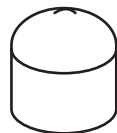
HW402 Hi Collar Lock Washer 3/8", 18-8 S/S **x4**



HW407 Washer, Flat 3/8" x 1", 18-8 S/S **x4**



HW513 White Vinyl Cap **x4**



HW183 Hex Nut, 3/8"-16, 18-8 SS **x4**



HW317 Hex Key, 5/16", Short Arm **x1**



*not to scale