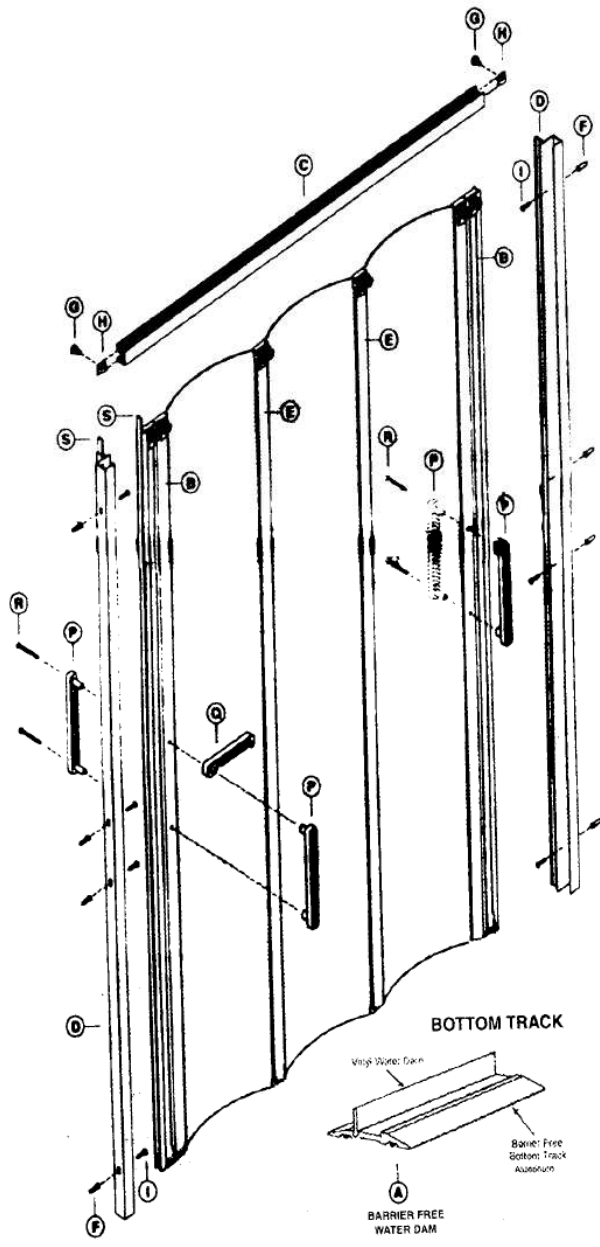


Distributed by
Shower Solutions USA, Inc.
Accessible Environments, Inc., National Dealer
(800) 643-5906
www.accessinc.com

FBS: BARRIER FREE SHOWER DOOR



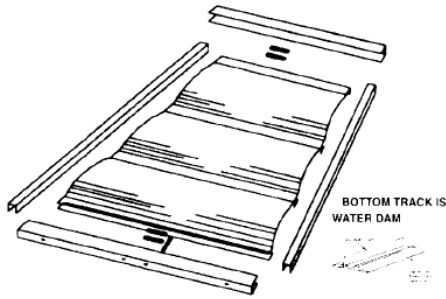
FBS: BARRIER FREE SHOWER DOOR

Shower Installation Instructions

FBS: BARRIER FREE SHOWER DOOR

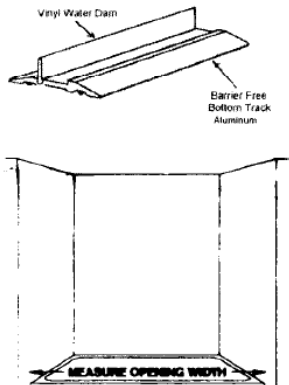
STEP 1:

Begin by laying the entire contents of the unit on the floor to understand the design concept of the product.



STEP 2:

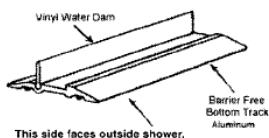
Measure the opening width at shower level as shown. Cut metal water dam to a 1/32" less than the measurement obtained and remove all burrs. Cut vinyl water dam blade to fit length of metal water dam.



STEP 3:

Place assembled Water Dam to the front of the shower base in the exact location where it will be later permanently attached. Mark with a pencil on both sidewalls the exact location where the Water Dam will be installed.

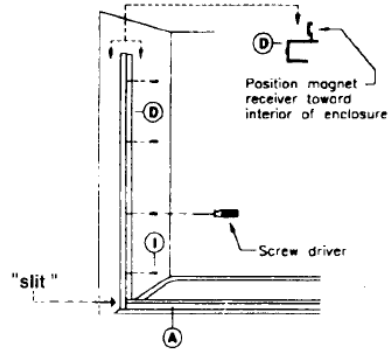
Temporarily secure the Water Dam in place on both sides with two long strips of masking tape.



STEP 4:

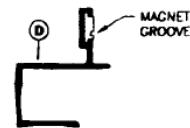
With magnet receivers toward "interior", set the "slit" end of Wall Jamb (d) over the Water Dam Vinyl Blade. Jamb must sit on top of Water Dam.

Plumb the wall jamb, then make a pencil mark on the shower wall thru each of the Wall Jamb installation holes. Remove the Wall Jamb and Water Dam. With a 3/16" bit, drill 1" deep installation holes in the locations marked and insert Plastic Screw Anchors (F).



Install Water Dam using a high quality adhesive or silicone bathroom caulk to the bottom of the track and press into position previously marked. For additional strength, anchors may be used. If floor is uneven, securing with anchors is recommended.

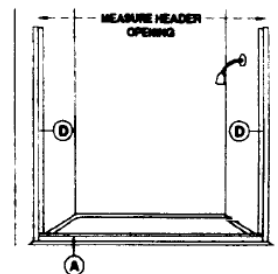
Insert Magnets (S) into the Wall Jamb's magnet receivers as shown below and crimp metal at bottom to keep magnets in place. Reposition Wall Jamb as before and secure to wall using #8 x 3/4" installation screws (I).



STEP 5:

Measure the opening width at top of Jamb as shown. Cut the Top Track (C) to a 1/8" less than the measurement obtained and remove all burrs. (Top Track should fit tight)

Clean track of all metal shavings. Lubricate the track's roller groove with petroleum jelly or silicone grease.

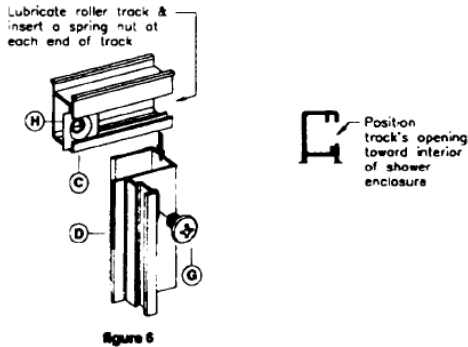


FBS: BARRIER FREE SHOWER DOOR

STEP 6:

Insert a spring nut (H) into each end of track (see fig.6 & exploded view - sht 1).

Position Top Track (C) atop jambs and secure track to jambs using two(2) 1420php installation Screws (G) as shown.



STEP 7:

Depending on your configuration, notches may be located opposite of ends shown in figure below.

From inside of tub unit, take entire Door Assembly and insert the top rollers into the Top Track's entry notch (see fig. 7a).

Check to see that all rollers are properly aligned in groove (see figure 7b - side view).

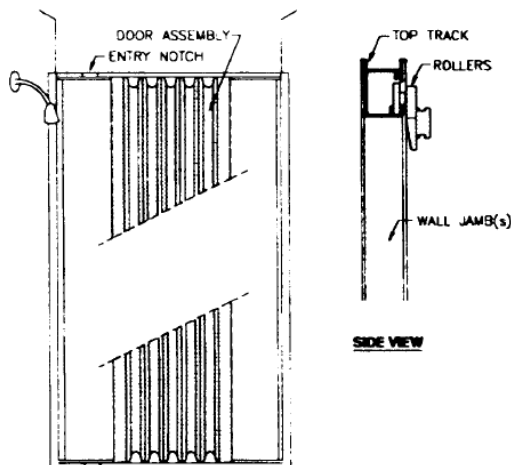


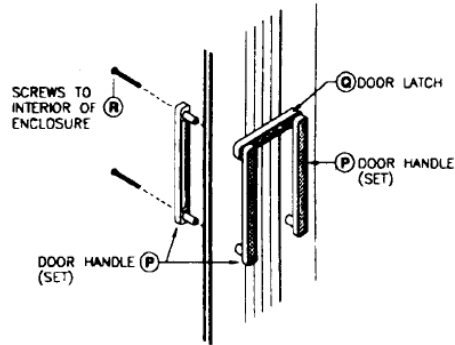
figure 7a
(figure shows from inside of enclosure looking out)

figure 7b

STEP 8:

Install a Door Handle set (P) and the Door Latch (Q) on the left side of door assembly using Assembly Screws (R)(see figure below and exploded view - sht 1).

Install remaining Door Handle set (P) on the right side of door assembly.

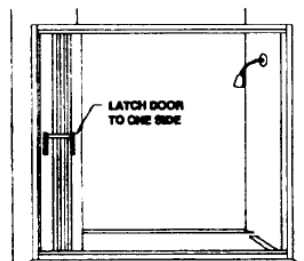


STEP 9:

To insure a leak proof installation, caulk interior and exterior of unit. Usa a clear silicone or rubber sealant.

STEP 10:

Latch the door completely open. Allow 24 hours for sealant to dry before using shower.



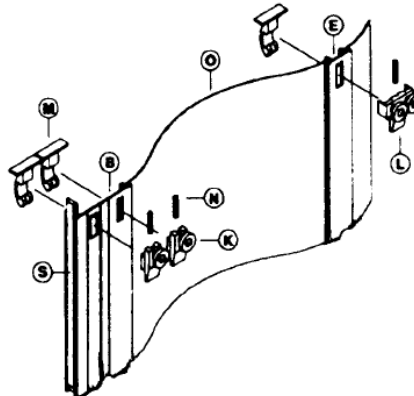
FBS: BARRIER FREE SHOWER DOOR

<u>Key Letter</u>	<u>Part Number</u>	<u>Description</u>	<u>Quantity</u>
A	35	Water Dam	1
B	*109	Door Strike Assembly	2
C	117	Top Track	1
D	112	Wall Jamb w/ Magnetic Strike	2
E	*113	<u>Panel Stiffeners</u>	
		3 Panel Unit	2
		4 Panel Unit	3
		5 Panel Unit	4
F	1329	Plastic Anchors	8
G	1420PHP	Frame Assembly Screw	2
H	SN1	Frame Assembly Spring Nut	2
I	834P	Assembly Screw	8
J	CS1	Cotton Swab (not shown)	1
K	*GRB1	Single Roller Bracket Assembly	4
L	*GRB2	<u>Double Roller Bracket Assembly</u>	
		3 Panel Unit	2
		4 Panel Unit	3
		5 Panel Unit	4
M	*GRC1	<u>Glide Retainer Clip</u>	
		3 Panel Unit	6
		4 Panel Unit	7
		5 Panel Unit	8
N	*GS1	<u>Glide Spring</u>	
		3 Panel Unit	6
		4 Panel Unit	7
		5 Panel Unit	8
O	PP__	<u>Plastic Folding Panels</u>	
		3 Panel Unit	3
		4 Panel Unit	4
		5 Panel Unit	5
P	SFH	Door Handle (set)	2
Q	SFL	Door Latch	1
R	8134F	Door Handle Assembly Screws	4
S	*98-41	Magnet Strips (2 pieces pre-installed in 109)	4

*Parts preassembled in folding door assembly

Tools Needed

Level	Tape Measure	Electric Drill	Phillips Head Screw Driver
Caulk	Masking Tape	3/16" Drill Bit	Petroleum Jelly or Silicone Grease
Hacksaw			



Detail shows partial Door Assembly for part identification

SHOWER SOLUTIONS USA, INC.

FOLDING SHOWER DOOR SPECIFICATIONS

Folding Series

MF Standard – 2200 series

- Silver Satin, Brite Silver, Brite Gold anodized aluminum or painted white finish.
- All doors shall have a series of folding panels, extruded aluminum panel stiffeners and an extruded aluminum pull edge that are interlocked with each panel. These panels shall have floating glide rollers that run along a grooved header / sill which is attached to aluminum wall jambs.
- Panels shall be pre-assembled for easy installation.
- Panel material shall be an opaque, fire retardant, extruded Polyethylene.
- This door shall give you the widest clear opening possible when the door is in the open position. It shall also have a latch that holds the door in the open position.
- All aluminum pull edges to have an integral groove that accepts a full-length magnet and strike against a wall jamb with an integral groove that also accepts a full-length magnet to give this door a full magnetic seal when in the closed position. They shall also have two, spring loaded glide roller brackets that are attached to each end into punched slots.
- All panel stiffeners shall have a spring loaded glide roller bracket with two rollers, which is attached to each end into punched slots.
- Glide rollers shall be White Delrin. They shall attach to a White Delrin roller bracket with stainless steel roller pins. Each roller assembly shall attach to each end of the panel stiffener and float up and down as the stiffener or pull edge is moved along the header / sill to insure smooth motion.

MF Elite – 2300 Series

- All doors shall have a series of co-extruded panels, extruded aluminum panel stiffeners and an extruded aluminum pull edge that are interlocked with each panel. These panels shall have floating glide rollers that run along a grooved header / sill which is attached to aluminum wall jambs. This door shall give you the widest clear opening possible when the door is in the open position.
 - All aluminum pull edges to have an integral groove that accepts a full-length magnet and strike against a wall jamb with an integral groove that also accepts a full-length magnet to give this door a full magnetic seal when in the closed position. They shall also have two spring loaded glide roller brackets that are attached to each end into punched slots.
 - All panel stiffeners shall have a spring loaded glide roller bracket that is attached to each end into punched slots.
 - Glide rollers shall be White Delrin. They shall attach to a White Delrin roller bracket with stainless steel roller pins. Each roller assembly shall attach to each end of the panel stiffener and float up and down as the stiffener or pull edge is moved along the header / sill to insure smooth motion.
 - Panels shall consist of a series of co-extrusions of Alcryn and Rigid PVC to make it fold in the middle and at each vertical edge. The standard color for these panels is white. Contact factory for other custom colors available.
- 