

Walk In Tub - Fairmount

IS 5129 Inward Swing Door



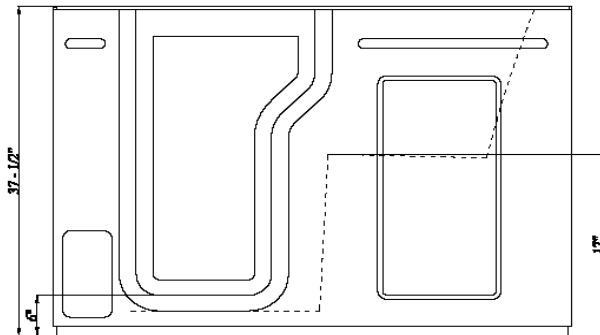
SAFETYBATH
walk-in-tubs



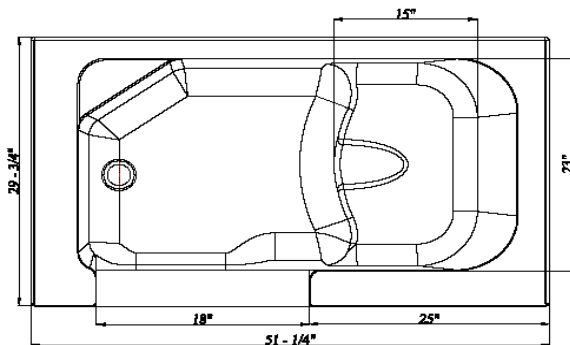
Accessible Environments, Inc.
National Distributor
(800) 643-5906
www.acesinc.com



Left Hand Shown



Front View



Top View

GENERAL SPECIFICATIONS

Dimensions..... 51 ¼" x 29 ¾" x 37 ½"
Weight..... 210 lbs.
Operating Capacity 60-65 gallons

Features:

PVC Drain

- Size - 2"
- Horizontal or Vertical
- Plunger with Chain

Door

- Opening Width - 18"
- Aluminum Door and Frame

Acrylic Shell

- White
- Textured Acrylic
- Non-skid Floor
- ADA Height Seat
- Acrylic Surface with Fiberglass Substrate
- Two Grab Bars
- Stainless Steel Frame
- Front and Corner Deck for Faucet Locations

Options

- Left or Right Hand Drain
- Air jet System
- Water jet System
- Dual jet System

Accessories

- Tub Extension Panel Kit
- End Panels
- Shower Wall Kit

Compliance Certifications – Meets or Exceeds the Following Specifications:

- cETL – Intertek
- cUPC / USPC – IAPMO
- ANSI Z 124.1.2 – for Plastic Bathtubs
- ASME A112.19.7 – Whirlpool Appliances
- ASME A112.19.15 – for Walk in Bathtubs
- CSA B45.5 – Canadian Plumbing Fixtures

Before ordering or installing, consider future access to essential equipment.

In an effort to continually improve our product, specifications and configurations are subject to change without notice.