



division of Fiberglass Systems, Inc.

Accessible Environments, Inc. - Authorized Dealer

ph.: 800-643-5906 fax: 757-565-1570 www.accessinc.com

Specifications

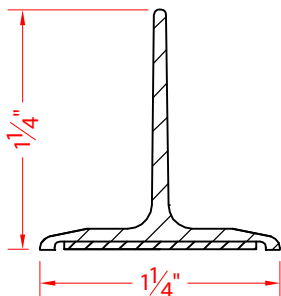
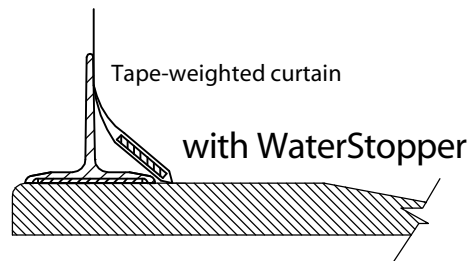
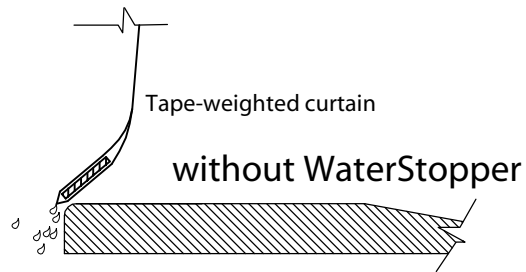
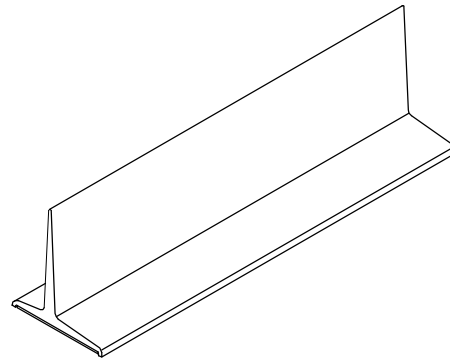
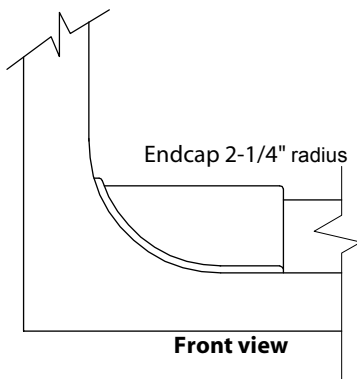
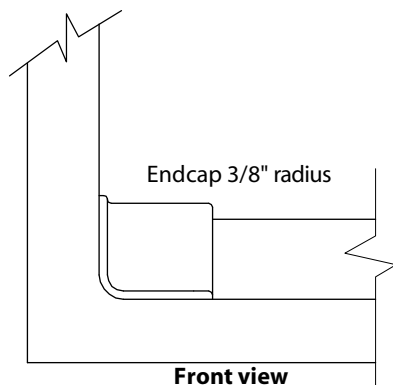
TWS

Rubber WaterStopper

"THE SOLUTION TO WET FLOORS"



- Material: Grey EPDM Rubber, 50 Durometer, Endcaps: injection molded Vyram rubber
- Dimensions: Will fit on any Access ADA or Barrier Free model offered
- Available for other Brands
- Installation: Self-Adhesive



**Cross Section
Scale 1:1**

