



safe bathing for people of all abilities

Accessible Environments, Inc., National Dealer
(800) 643-5906 www.acesinc.com

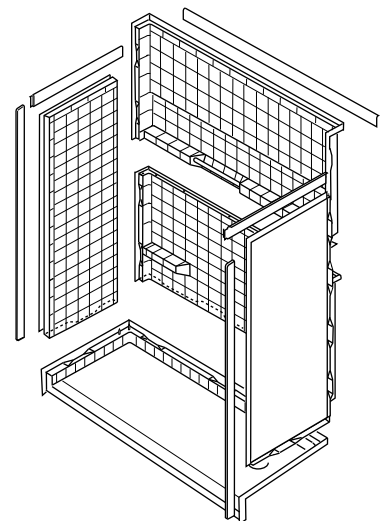
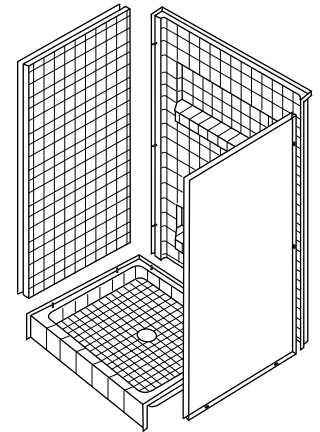
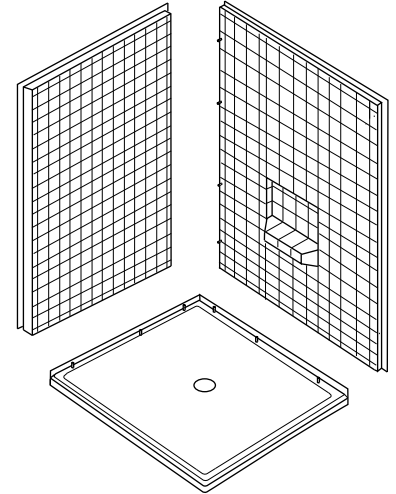
Installation Instructions

Low Base 3, 4 and 5 piece Showers

3/4/5 LBS

INSTALLATION INSTRUCTIONS FOR MODEL #

- 3LRS4848B22B** *(Also BWG)
- 3LRS6048B22B** *(Also BWG)
- 4LES5430B17T**
- 4LRS4848B1B** *(Also BWG) **(Also LPBmW)
- 4LRS4848B22B** *(Also BWG)
- 4LRS6030B22B** *(Also BWG)
- 4LRS6048B1B** *(Also BWG) **(Also LPBmW)
- 4LRS6048B22B** *(Also BWG)
- 4LRS6060B1B** *(Also BWG) **(Also LPBmW)
- 4LSS6331A75B** *(Also BWG) **(Also LPBmW)
- 4LSS6331E1B** *(Also BWG) **(Also LPBmW)
- 4RS3636** *(Also BWG)
- 4RS4234** *(Also BWG)
- 4RS4236B5T** *(Also BWG) **(Also LPBmW)
- 4RS4834** *(Also BWG)
- 4RS4834B12B** *(Also BWG) **(Also LPBmW)
- 4RS4848B1B** *(Also BWG) **(Also LPBmW)
- 4RS6034** *(Also BWG)
- 4RS6034B75B** *(Also BWG) **(Also LPBmW)
- 4RS6042** *(Also BWG)
- 4XRS6030B17B** *(Also BWG)
- 5LES7248B1B** *(Also BWG) **(Also LPBmW)
- RP4834B12B** **(Also LPBmW)



*BWG indicates that in addition to these instructions, you also need to follow:
"Instructions to eliminate the gap between a bowed backwal and the side walls"

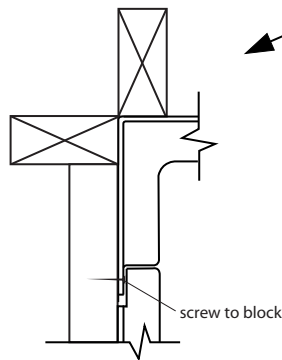
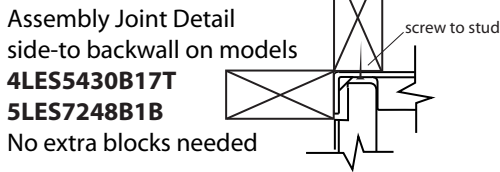
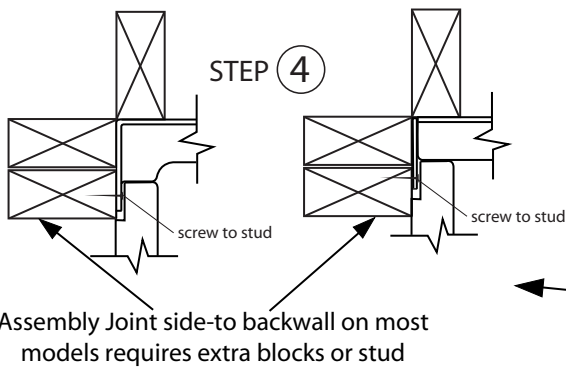
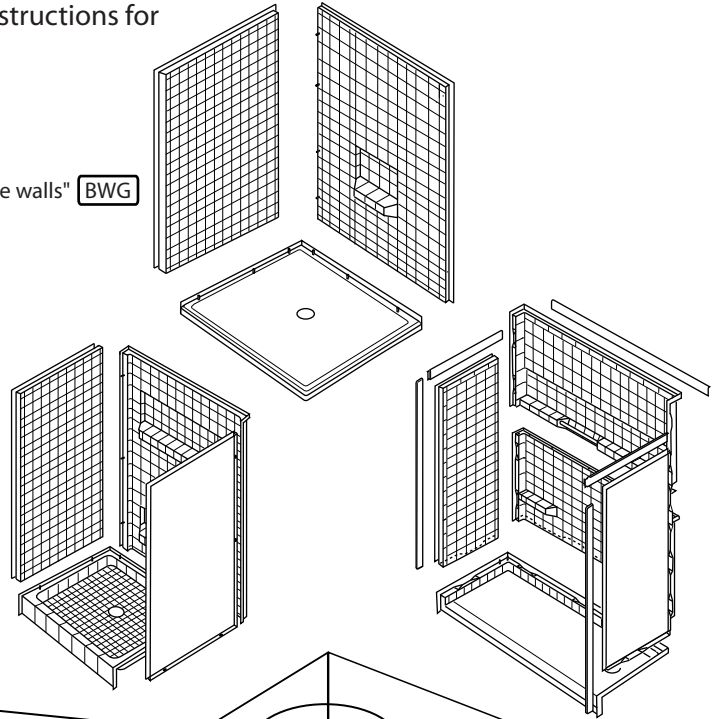
**LPBmW indicates that in addition to these instructions, you also need to follow:
"Installation Instructions Showers (multi-piece) with Low Profile Bottoms"

Quick Check List for Installation

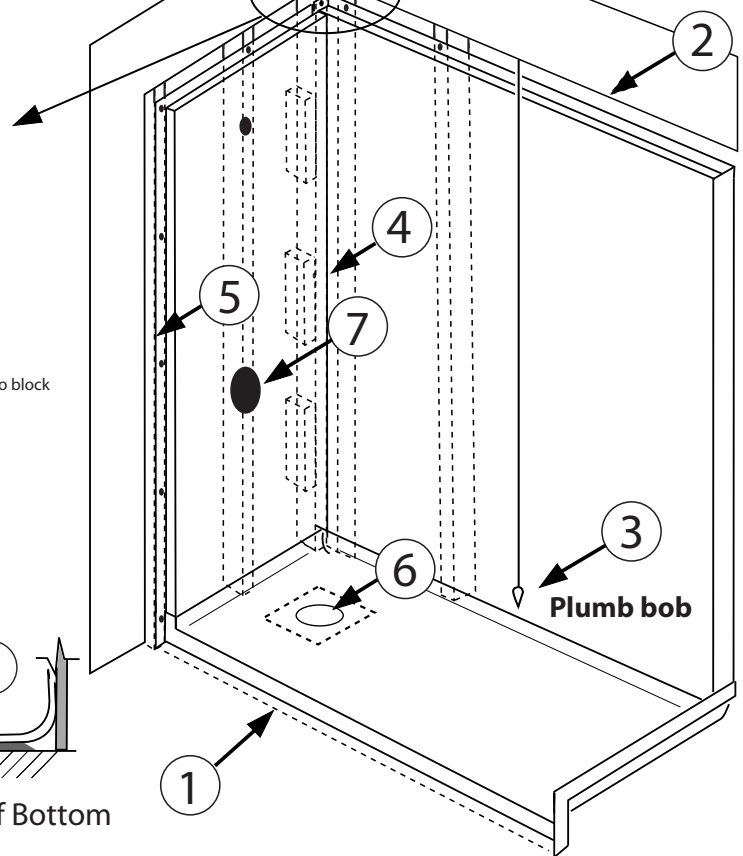
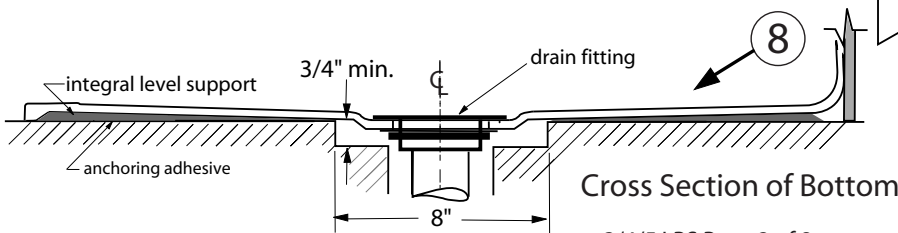
STEP

1. Decide if you need to recess the unit into the floor for best wheel chair access and if so, cut out the flooring.
2. Mark where the perimeter of the new unit will be, then mark and cut 1 inch beyond that.
3. Check framing pocket for size, plumb (use a plumb bob) and level and adjust by cutting or shimming as needed. Our (optional) Flange Trim Kit can help here.
4. Add studs or blocks to the side wall corner studs for attaching the vertical back wall flanges. Not needed on these models: 4LES5430B17T, 3EWS6030, 5LDS6030B17T, 5LES6048B1B and 5LES7248B1B.
5. Add studs or blocks to the side wall front for anchoring the flanges.
6. Prepare the drain hole in the floor and the drain fitting.
7. Prepare and cut holes for the plumbing.
8. For units with a 1-1/4" or lower curb height, see "Installation Instructions for Showers with Low Profile Bottoms" **LPBmW**
9. Install the Pan with the epoxy anchor and fasten to the studs.
10. Install the Backwall and attach at the top.
11. Dry-fit the side walls and eliminate any corner gap. See "Instructions to eliminate the gap between a bowed backwall and the side walls" **BWG**
12. Complete installation and caulk all joints.
13. Install (optional) Flange Trim Kit and other accessories.

Following are more detailed instructions.



TOP VIEW OF SIDE-TO-BACK WALL JOINTS AND FRAMING



PREPARATION

Check that all the parts are included and if there is minor damage, it can be touched up later.

Damage claims should be made immediately with the carrier.

1 ea Pan

2 ea Side Wall panels

1 ea or 2 ea (depending on the model) Back Wall panel

1 ea tube of silicone caulk

Remodel Flange Trim Kit (optional)

Other Options

NOTE: Items needed for back wall valve location are indicated the letter "B".

TOOLS General

Tape measure

Pencil

Utility knife

Drill/screw gun

Drill bit 3/16"

Pilot bit with counter sink

#2 Phillips head bit

Skill saw

Pry bar

Plumb bob

Level (2 ft.)

Caulk gun

Pliers, Channel Locks or ViseGrips

TOOLS for Mixing Valve Plumbing

Hole saw, 4" for mixing valve hole

Hole saw, 1-1/4" for supply elbow- or fixed head hole

Pipe wrench

Propane torch

Wire brush for copper fittings

Pipe cutter for copper pipe

Hack saw

Hole saw, 1-3/4" for (optional) Diverter valve hole

3/8" socket driver (to remove plug from diverter valve)

SUPPLIES General

20 ea 2-1/2" deck screws

20 ea 1-1/2" drywall screws

10 ea Shim wedges

2 ea 8 ft 2x4 lumber

SUPPLIES for Mixing Valve Plumbing

Plumbers putty

Flux

Solder

Pipe dope/Teflon tape

Emery cloth

Pipe strap

Drain and P-trap pipe and fittings as required to adapt from the existing tub drain to a shower drain

Solvent Weld Cement

NOTE: All or some of the following plumbing fittings may be needed depending on whether the valve will be located on the back wall or other valve relocation is done.

B 1/2" copper pipe

B copper elbows 90 degr.

B copper elbows 45 degr.

B copper couplings

B 1/2" MIPT x 3" nipple (galvanized or brass)

TOOLS for Showers with Low Profile Bottoms LPB

- Standard Caulk gun for 10 oz.

- Special gun provided for 20 oz. dual cartridge

SUPPLIES for Showers with Low Profile Bottoms LPB

Supplied adhesive in 10 or 20 oz. sizes

(provided with the shower)

Installation:

1. Mark and cut out the drywall to fit the shower as follows:
1-1/2" above the level where the highest point of the shower will be.

See Figure 1 A

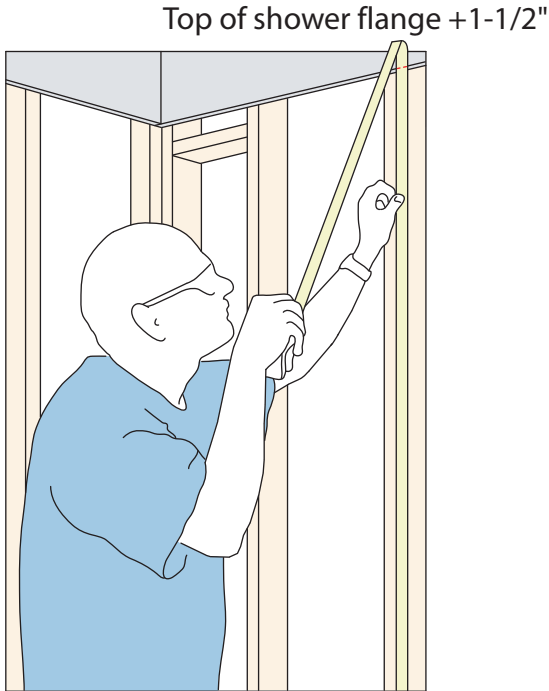


Figure 1 A

Mark and cut out the drywall in front to fit the shower as follows:
1-1/2" past where the furthest point of the shower will be.

See Figure 1 B

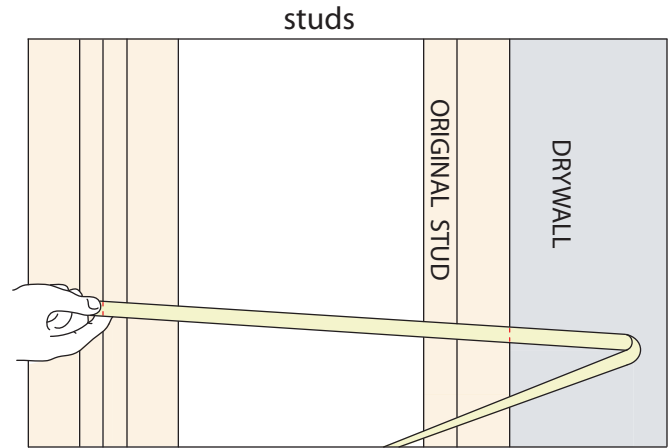


Figure 1 B

2. Install the studs that will provide support for the front nailing flanges and the drywall as follows:
Slip two studs in the space in front of the most forward stud **SIDEWAYS** and screw it to this stud. **See Figures 2 A and 2 B**

Now screw the drywall to this stud

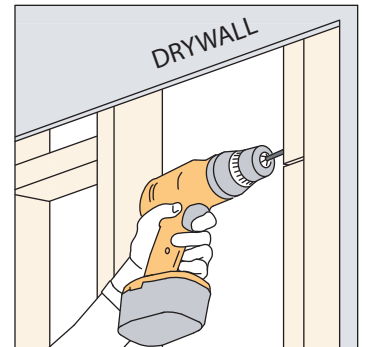
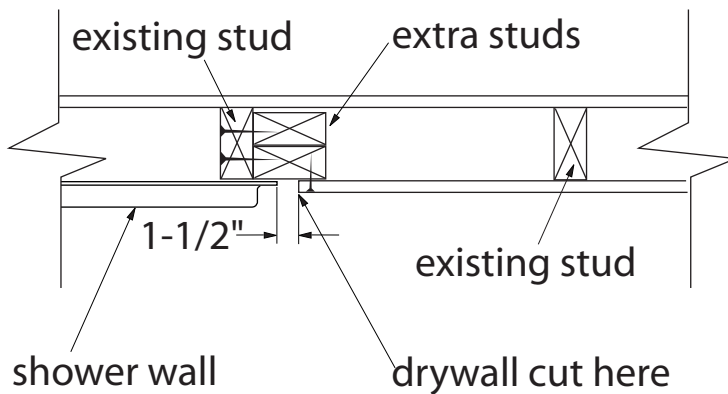


Figure 2 A

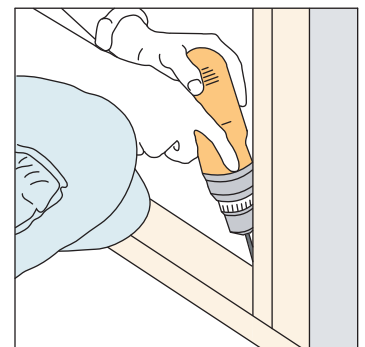
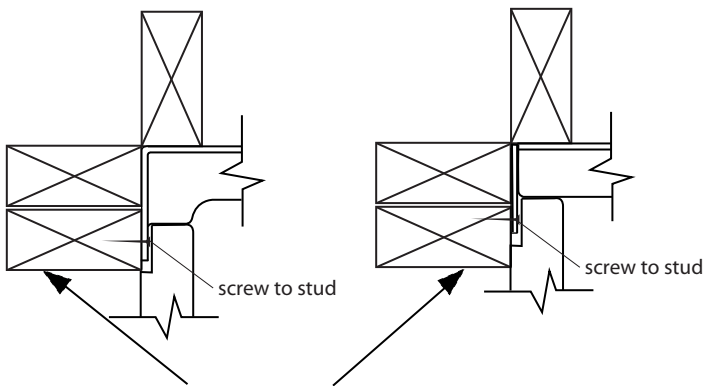


Figure 2 B

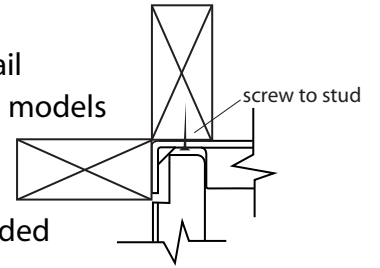
TOP VIEW

TOP VIEW OF SIDE- TO BACK WALL JOINTS AND FRAMING



Assembly Joint side-to back wall
on older models with indexing pins
Requires extra blocks or stud

Assembly Joint Detail
side-to back wall on models
4LES5430B17T
5LES7248B1B
No extra blocks needed



3. On some models you need to install the studs for attaching the vertical flanges of the back walls. Depending on the model, this may be a horizontal board between two existing studs.
See Figure 3 A

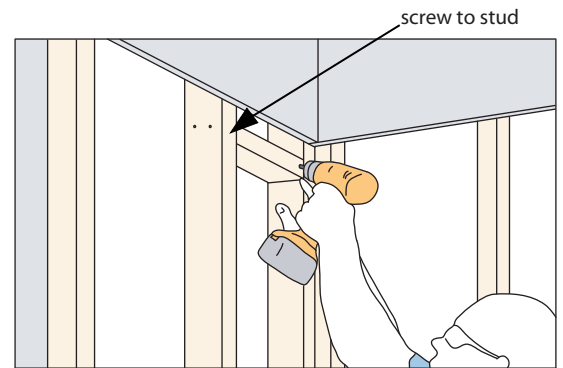
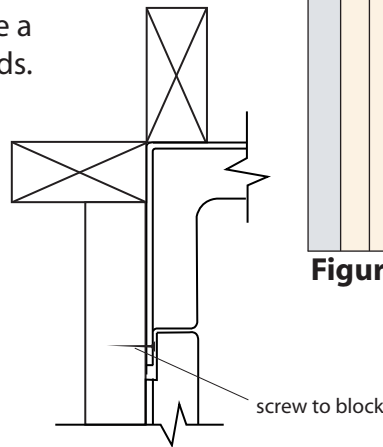


Figure 3 A

If you need to keep the curb as low as possible for maximum accessibility and want to install the pan on the floor joists, proceed as follows:

If the joists run perpendicular to the shower curb, run 2x4 between and flush with the top of the joists. This is to provide support for the back of the pan and allows shimming. **See Figure 3 B**

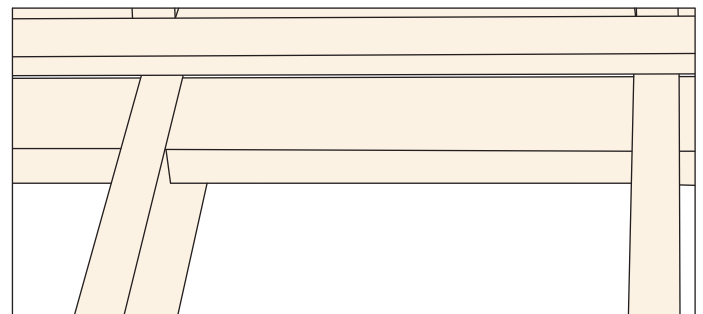


Figure 3 B (accessible install only)

4. Level the part of the floor where the front and the back of the pan will be sitting. **See Figure 4**

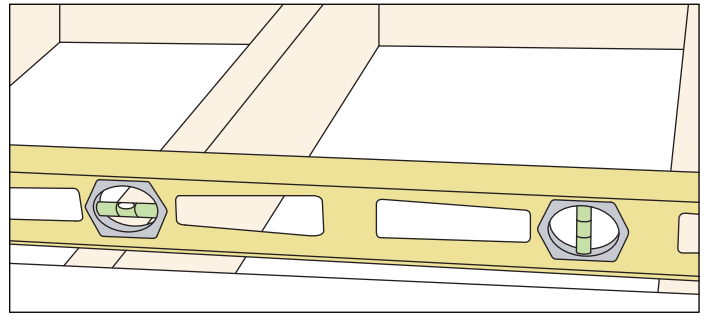


Figure 4

5. Rough in the drain pipe. **See Figure 5**

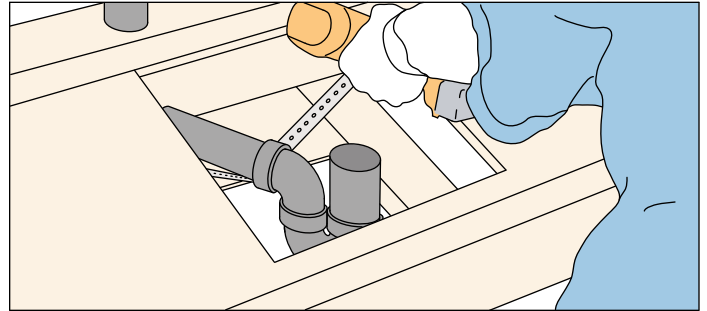


Figure 5

6. If you need to install a new diverter mixing valve on the back wall, pre-plan the lay-out with the valve, glide bar and grab bar positions in mind. Shut off the water supply and cut the hot and cold lines between 2" and 4" above the bottom plate. Route these lines through the studs (except for 2 ea. 45 degree elbows in front of the corner studs) toward the new valve location on the back wall.

See Figure 6

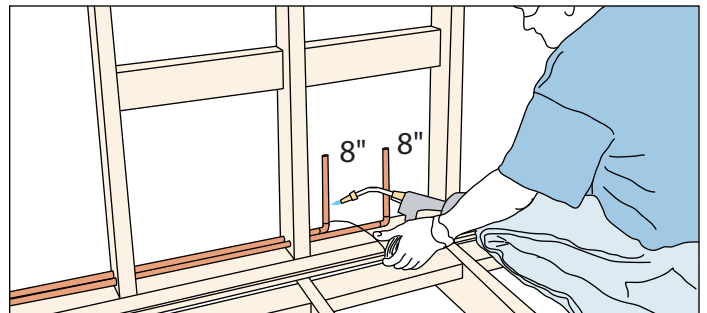


Figure 6

If the plumbing is kept at the original plumbing wall, just reposition the valve (be sure to plug the port to the tub spout that is now unnecessary) and the shower outlet. If you are installing the valve on the back wall, run the pipes about 8" above the bottom plate, but do not commit to a final position of the valve and fittings until you can line these up with the holes in the wall panels.

If your shower pan's curb height is:

- less than 1-1/2", see **LPBmW** supplement for proper adhesion to the floor before continuing.
- 1-1/2" or greater, continue with these instructions.

7. Set the pan in the opening, carefully slipping the drain fitting over the drain pipe. (No Figure 7)

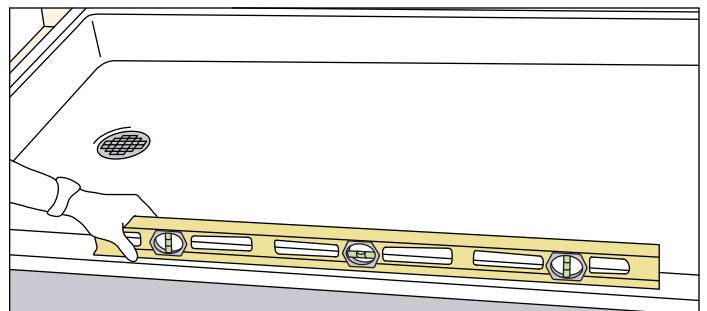


Figure 8

8. Level the pan in all directions. **See Figure 8**

9. Hang a plumb-bob FLUSH with the back side of the drywall from temporary screws. **See Figure 9**

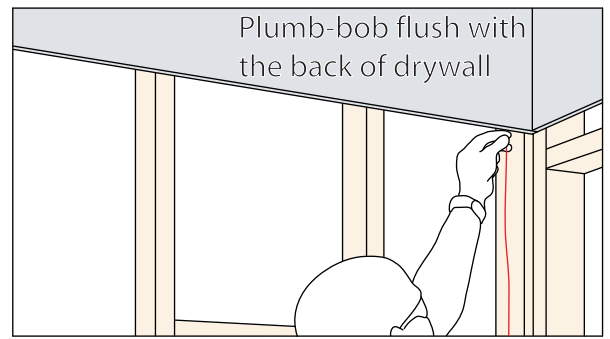


Figure 9

10. If the studs are leaning in, shim between the pan and the framing and check that the pan is still level before screwing it to the studs.

If the studs are leaning out, you can either:

- A. Cut into the studs or
- B. Shim out.

The optional Flange Trim Kit is a good way to help transition to the drywall.

Keep the screws in the pan flanges close to the edge of the flange so the wall panel will not hang up on these screws.

See Figures 10 A and 10 B

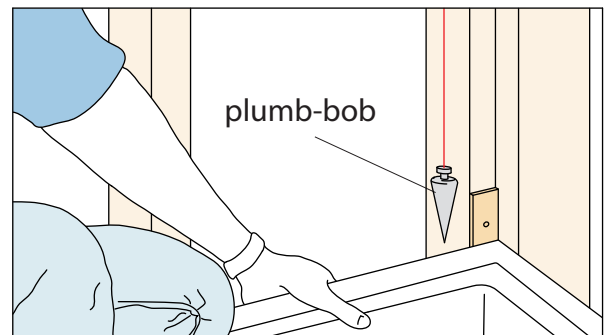


Figure 10 A

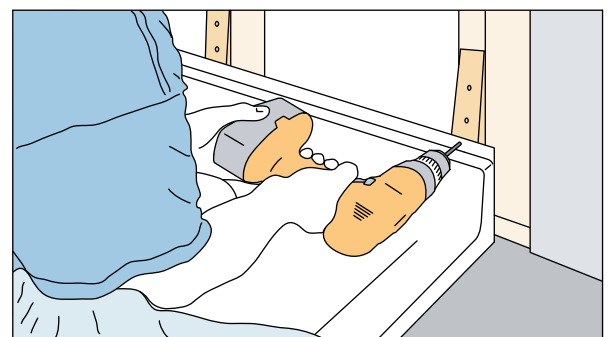


Figure 10 B

11. Drill the holes for the plumbing, based on the pre-planning discussed in Step 6. **See Figure 11**

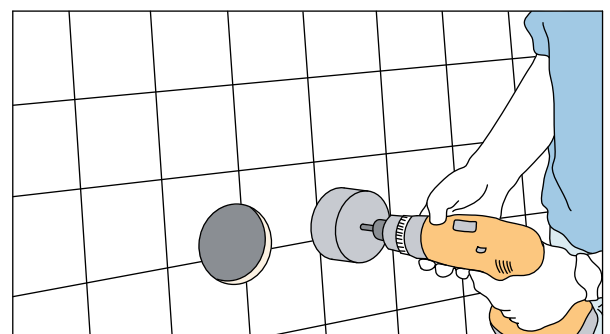


Figure 11

12. Screw the flanges to the studs, angling slightly downward to help snug the walls to the pan. Shim as needed. **See Figure 12**

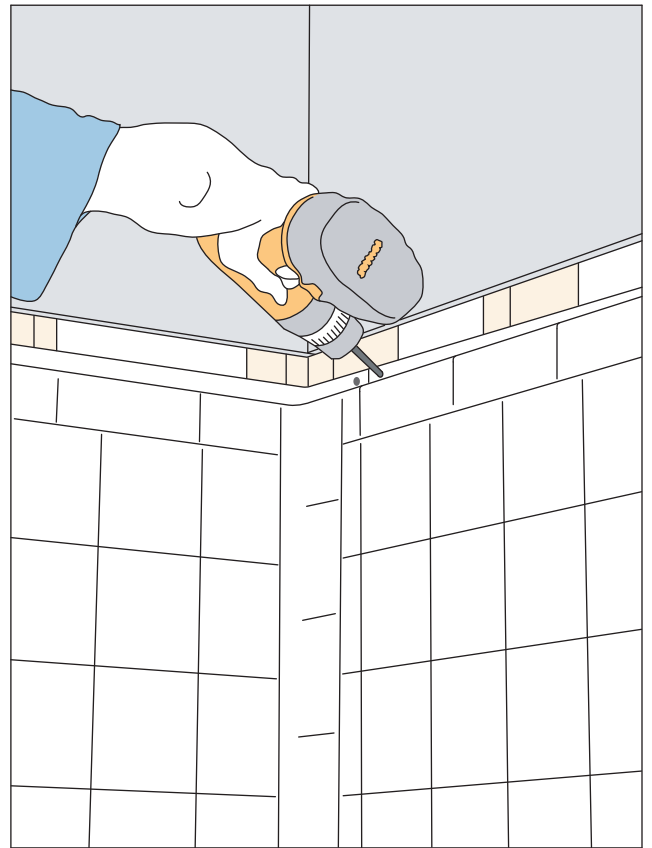


Figure 12

13. Shim behind all wall panels as needed and screw the flange to the studs at 8" intervals. **See Figure 13**

14.
-Caulk all joints by cutting a small, angled hole in the tip of the tube of silicone and forcing it into the joint.

- Install any grab bar, seat, glide bar or other options in the plywood backing that is integral in the shower walls. See specific installation instructions .

- Install drywall over the nailing falgnes or as a faster option use our Flange Trim Kit FTK-R-3.

- Dirty scuffmarks can be wiped off with paint thinner or acetone and deeper scratches can be sanded out with 400-, then 600 wet and dry, followed by a hand buff with automotive buffing compound.

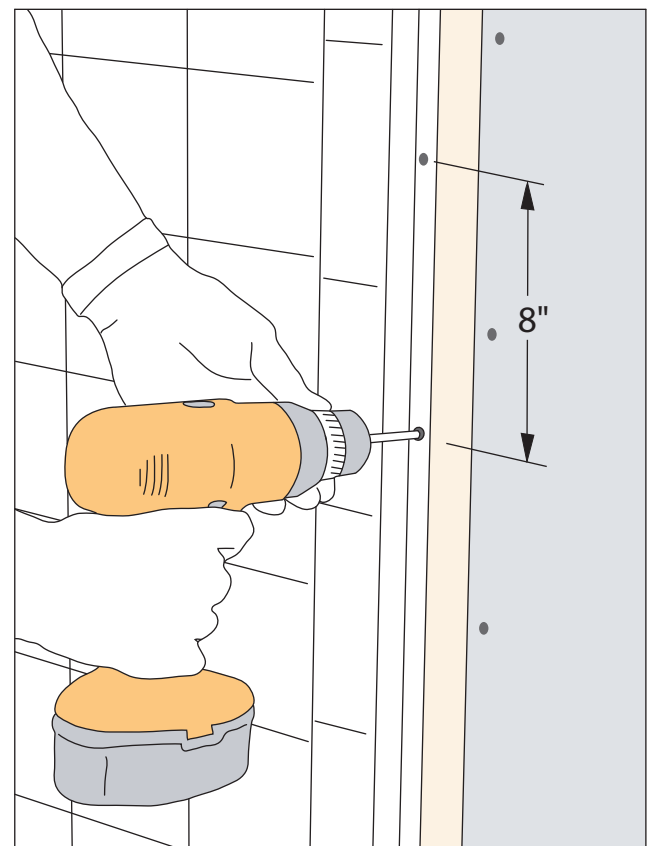


Figure 13



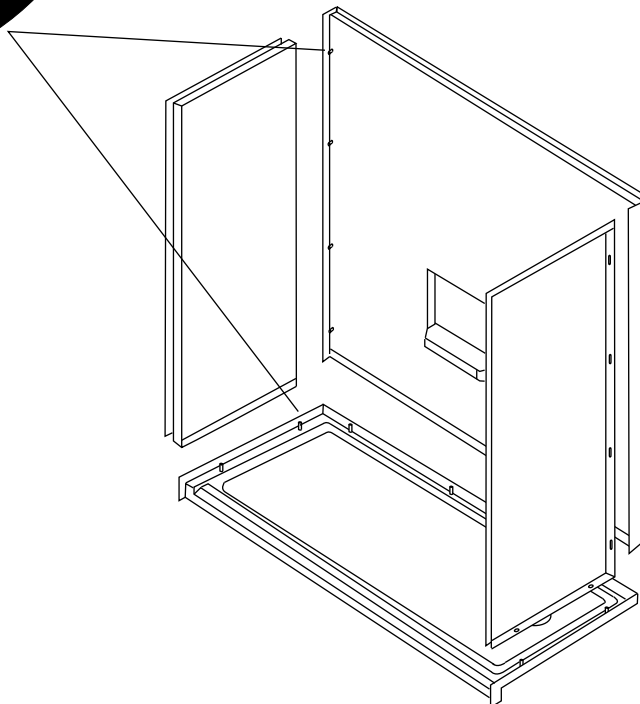
safe bathing for people of all abilities

Accessible Environments, Inc., National Dealer
(800) 643-5906 www.acesinc.com

NO NUTS NEEDED

NNN

They are supplied only in case the unit is to be fully assembled before installation like in new construction.





Safe bathing for people of all abilities

Accessible Environments, Inc., National Dealer
(800) 643-5906 www.acesinc.com

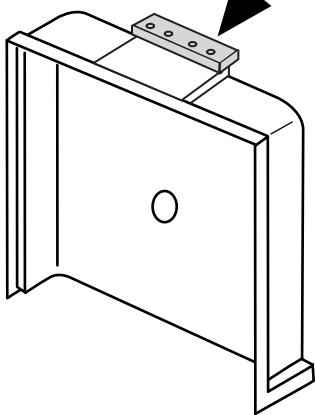
Installation Instructions

Showers (multi piece) with Low Profile Bottoms

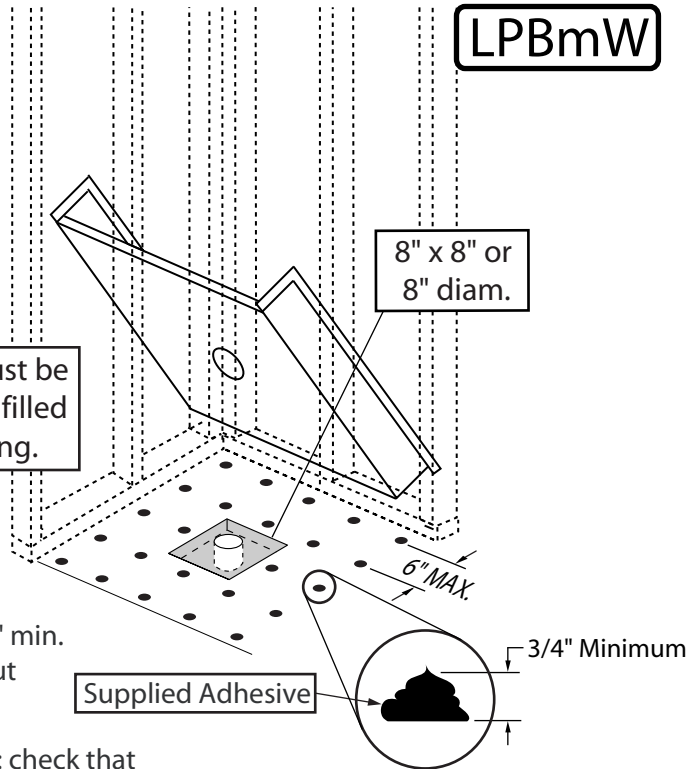
LPBmW

Storage: Do Not rest on the Bottom Once the Drain Fitting is Installed.

Remove this block before installing



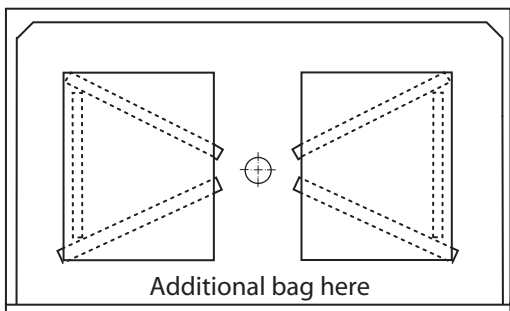
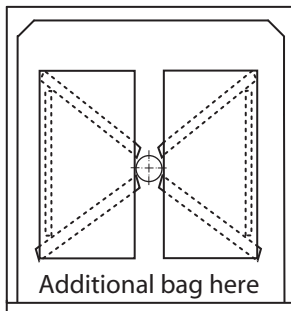
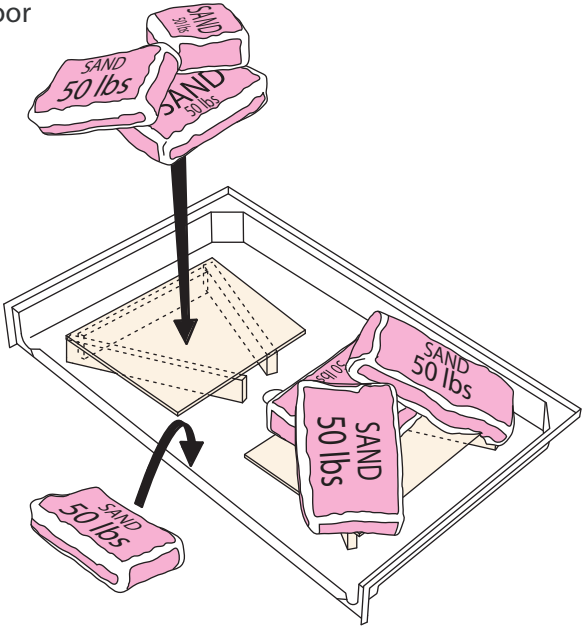
NOTE: The drain cut-out must be 8" diam. or 8" x 8" and back filled if it is larger to prevent flexing.



Adhesive: 3/4" dollops every 6" min. starting approx. 2" from cut out

Weigh down the weight plates: check that they are tight all along the shower floor with no dips or high areas.

DO NOT WALK ON BOTTOM UNTIL ADHESIVE HAS SET UP
TIP: Also put adhesive between 2 pcs. of scrap wood to monitor cure.

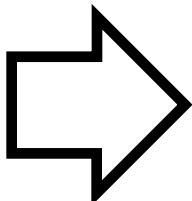


PLAN for Showers Smaller than 5'
All curb heights: 7 ea. 50 lb Bags.

PLAN for Showers 5' and Larger
5/8" - 3/4" curb: 7 ea. 50 lb Bags.
1" - 1-1/4" curb: 13 ea. 50 lb Bags.

ATTENTION: Weight Plates will be sent with the First Load Only. Please keep your weight plates for use with subsequent shipments.

SEE BACK FOR ADDITIONAL IMPORTANT INSTRUCTIONS





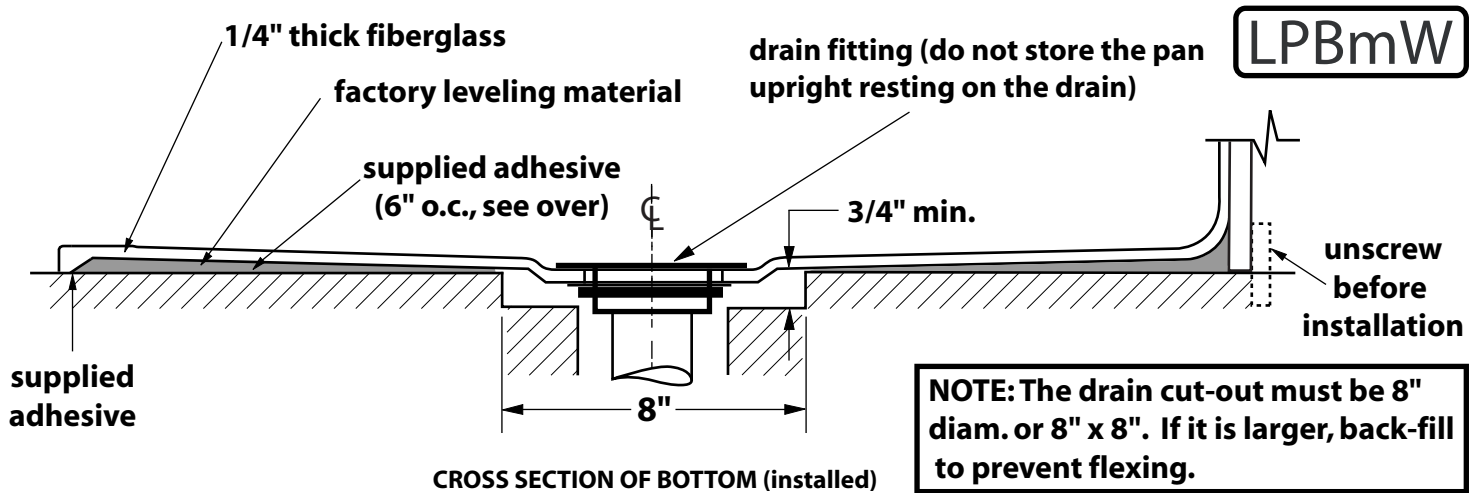
Safe bathing for people of all abilities

Accessible Environments, Inc., National Dealer
(800) 643-5906 www.acesinc.com

Installation Instructions

Showers (multi piece) with Low Profile Bottoms

The extremely low profile of this shower bottom may eliminate the need for recessing. In order to get full, permanent contact with the floor, it **MUST** be installed per these instructions. **FAILURE TO FOLLOW THESE INSTRUCTIONS MAY RESULT IN FAILURE NOT COVERED BY WARRANTY**



Installation:

1. Check the stud pocket for level and correct dimensions and the drain hole in the floor for the correct distance to the studs. The floor must be level +/- 1/8 inch, especially around the drain box out and sweep floor clean.
2. The shower drain must be centered in an 8" cut-out in the floor (refer to specification or the actual shower). See drawing above.
3. Have the plumber install the drain fitting. **DO NOT** store the unit resting on the drain.
4. Prepare the drain pipe to receive the drain.
5. Clean the floor and the pan's underside. The floor may be damp but no standing water.
6. The leveling material has been scuffed up at the factory. Clean off any debris stuck to it.
7. Remove the plywood strip that is screwed to the leveling block at the back.
8. Put the pan in the pocket. To position it, you **MUST** use a plumb-bob or dry-fit the walls.
9. Draw a line where the curb will be.
10. Prop the pan up and apply the supplied adhesive to the floor (see illustration on the front page). At the same time, glue some scrap wood together as a cure time sample.
11. Tip the pan into position, making sure it is positioned at the line drawn in step 9. Avoid stepping on the bottom until the adhesive has set up.
12. When level, screw through the flanges.
13. Use weight plates to brace or weigh down as shown (over) until snug to the shower floor.
14. Make sure the bottom has adequate drain-slope by pouring water in it or with a level.
15. Check the cure time sample from step 10 and when fully bonded or after no less than 2 hrs, remove the weight plates. (more if the floor is cold)
16. Install walls per the instructions, but avoid stepping inside until adhesive has cured.

SEE FRONT FOR ADDITIONAL
IMPORTANT INSTRUCTIONS





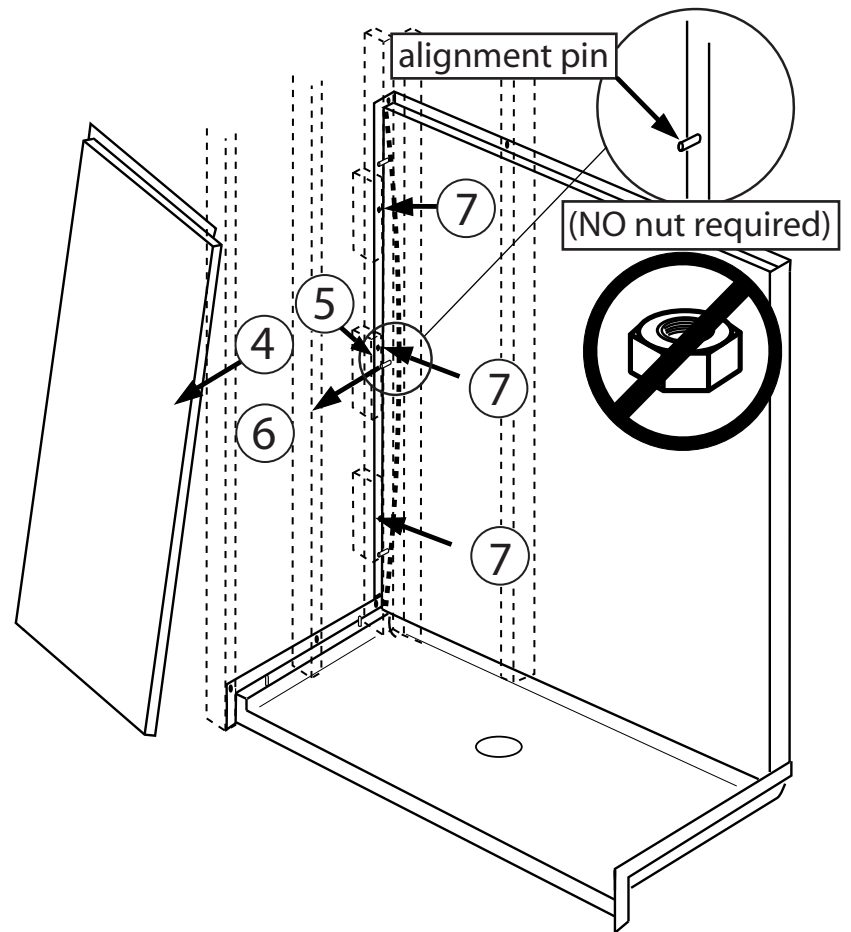
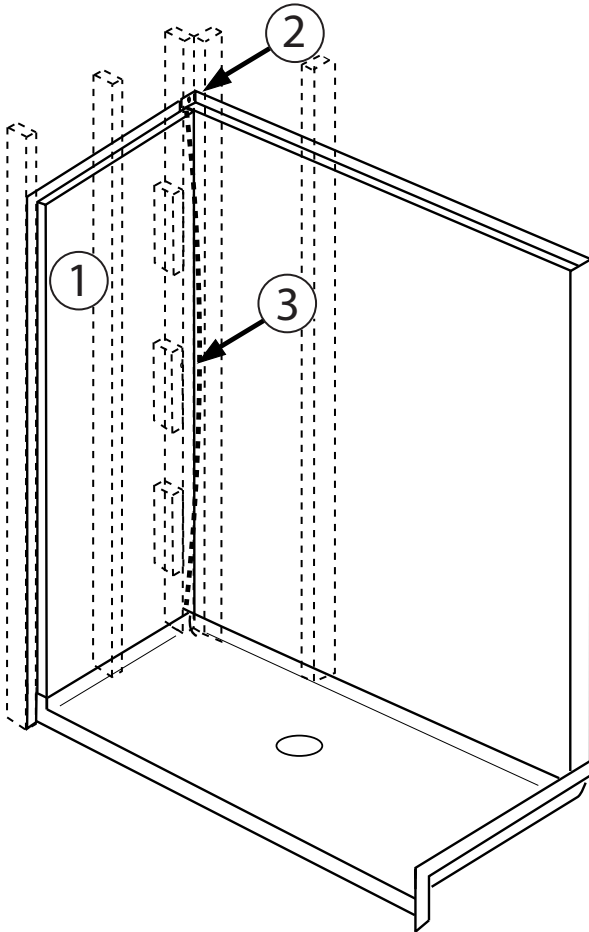
safe bathing for people of all abilities

Accessible Environments, Inc., National Dealer
(800) 643-5906 www.acesinc.com

Installation Instructions

Eliminate the gap between a bowed back wall and side walls

BWG



These instructions are a supplement to "Installation Instructions Low Base 3, 4 and 5 Piece showers" **3/4/5 LBS** for specific models.

- After the pan is installed square and level in the opening and the back wall is resting on the pan:
1. Dry-fit the side wall
 2. Secure the back wall at the top
 3. Note gap size from back wall bowing
 4. Remove the side wall
 5. Mark the gap size on extra block or stud
 6. Pull on the middle alignment pin to move the flange to the gap mark
 7. Screw the flange to the block or stud