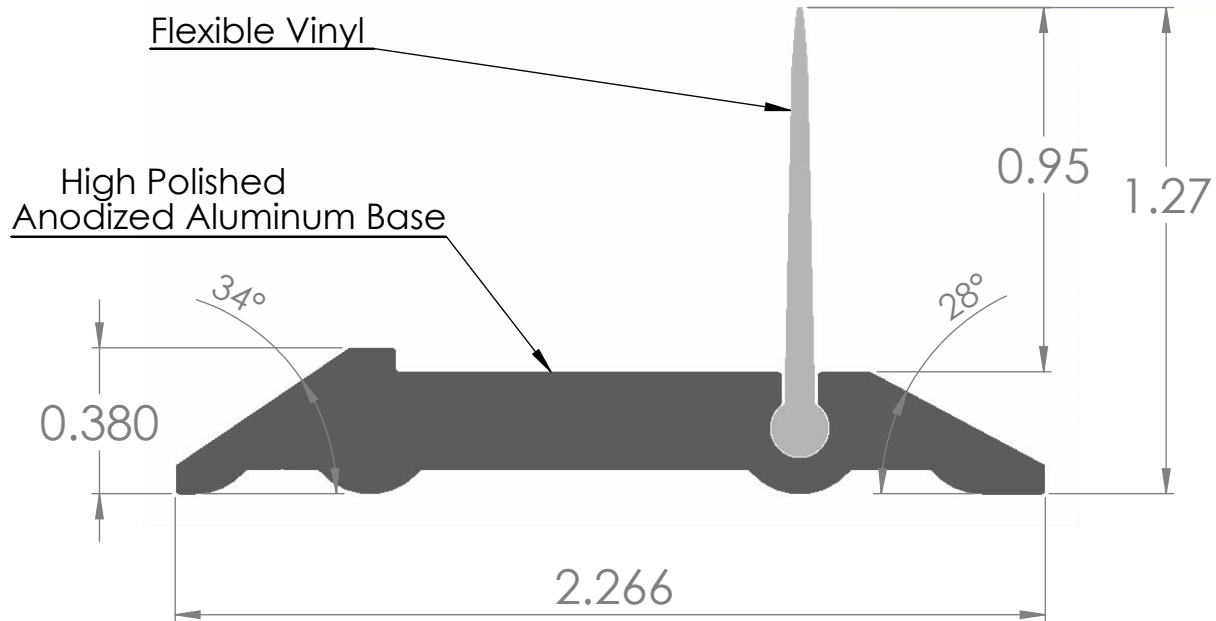
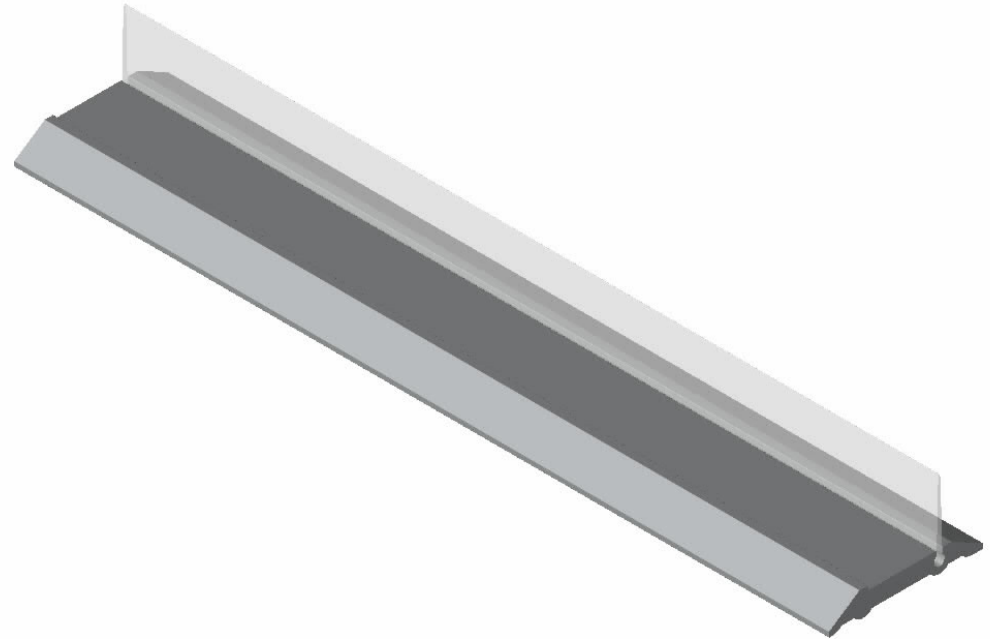


**SHORT FORM SPECIFICATION**

**Barrier Free Shower Dam:**

The aluminum threshold shall be anodized and polished and not less than 6463T5 (architectural grade) alloy. The water dam shall be of polyvinyl chloride. Shower Solutions USA Barrier-Free Water Dam complies with the height requirement in section 608.7 of the ADA Guidelines (Rev. 7-23-04)

Available in 5' and 6' lengths. Dimensions in inches. Please check slope requirements for specific ADA compliance applications.



Shower Solutions USA  
 by Alien Innovations, LLC  
 Accessible Environments, Inc.  
 Authorized Retailer 800.643.5906

TITLE:  
**PRT-35, Shower Water Dam**

**PROPRIETARY AND CONFIDENTIAL**  
 THE INFORMATION CONTAINED IN THIS DRAWING IS THE SOLE PROPERTY OF Alien Innovations, LLC. ANY REPRODUCTION IN PART OR AS A WHOLE WITHOUT THE WRITTEN PERMISSION OF Alien Innovations, LLC IS PROHIBITED.

SIZE <b>A</b>	DWG. NO. <b>PRT-35</b>	REV
DATE 9-1-17		SHEET 1 OF 2