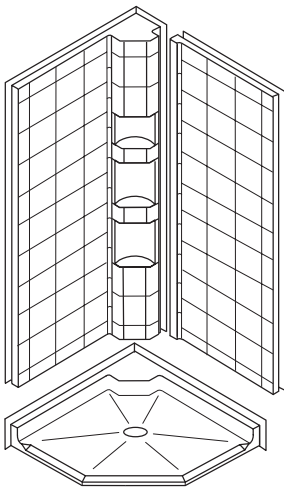


Low-Profile Multi-Piece Shower

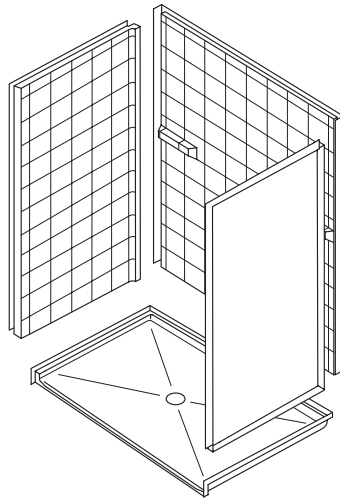
with blue, high-density polyurethane bottom



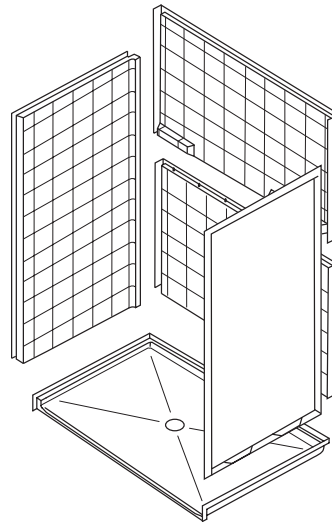
This packet includes installation instructions for the Bestbath® products shown below.
(These instructions also available at www.bestbath.com)



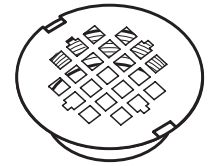
3-piece Multi-Piece Shower System



4-piece Multi-Piece Shower System



5-piece Multi-Piece Shower System



Optional No-Caulk Shower Drain

Pre-Installation Prep.....	2
Preparing the Shower Pocket.....	2
Installing Low-Profile Shower Pan.....	3-4
Installing Shower Walls.....	5-7
Installing Optional No-Caulk Drain.....	7

Before you begin installation, please carefully read all instructions regarding the proper installation of your shower unit.

PRE-INSTALLATION PREP

1 CHECK PARTS INVENTORY

If any parts are damaged, immediately file a claim with the carrier. Minor damage (scuffs and scrapes) can be touched up later.

- Pan
- Side walls
- Back wall (1 or 2 pieces, depending on model)
- Joint sealant
- Adhesive for pan installation
- *Optional:* Flange trim kit for walls
- *Optional:* No-caulk drain

2 GATHER SUPPLIES

- Drywall screws (1½")
- Shim wedges
- Four pieces 2x4 lumber, 8 ft. long (for walls; see Step 2 at right)
- Weights (see page 4)

Please read all instructions provided in this guide prior to installation.

PREPARING SHOWER POCKET



1 Mark and cut out drywall to fit back and side walls of shower. Remove drywall 1" beyond side wall and top nailing flanges. (Figures 1 and 2)

Figure 1

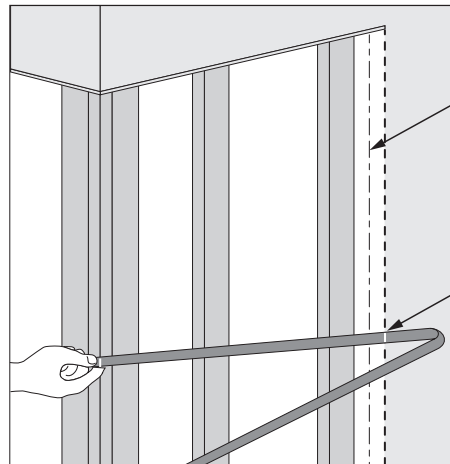


Figure 2

2 Install studs to provide support for flange and drywall attachment. (Figure 3)

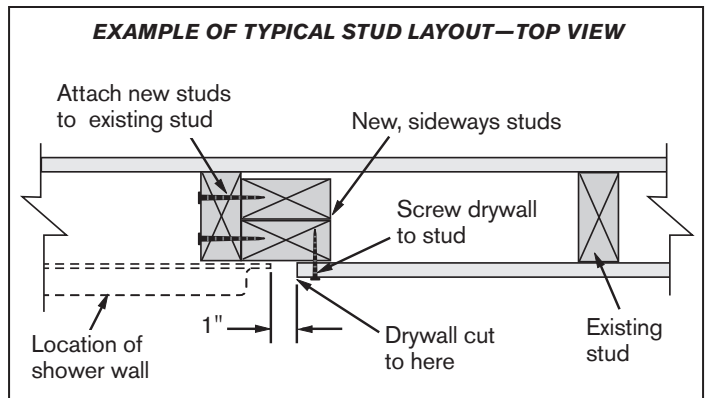


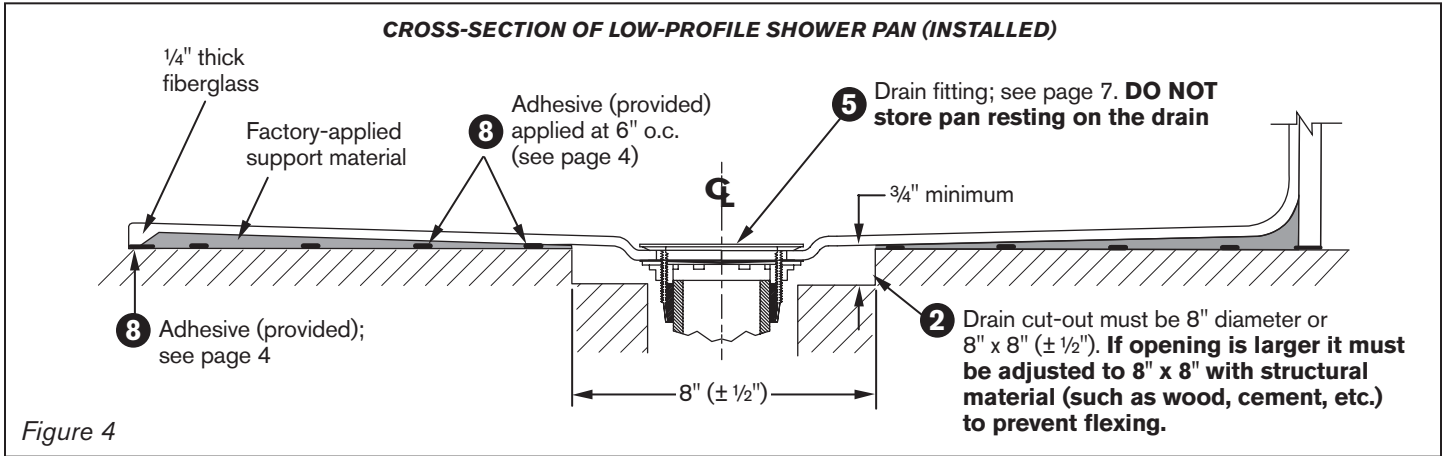
Figure 3

3 Rough in plumbing valve and drain per manufacturer's specifications.

INSTALLING LOW-PROFILE SHOWER PAN



CAUTION: IF NOT INSTALLED PROPERLY, THE SHOWER PAN MAY NOT PERFORM AS DESIGNED AND WILL NOT BE COVERED BY THE WARRANTY. The extremely low profile of this shower pan may eliminate the need for recessing. However, in order to get full and permanent contact with the floor, it **MUST** be installed per these instructions.



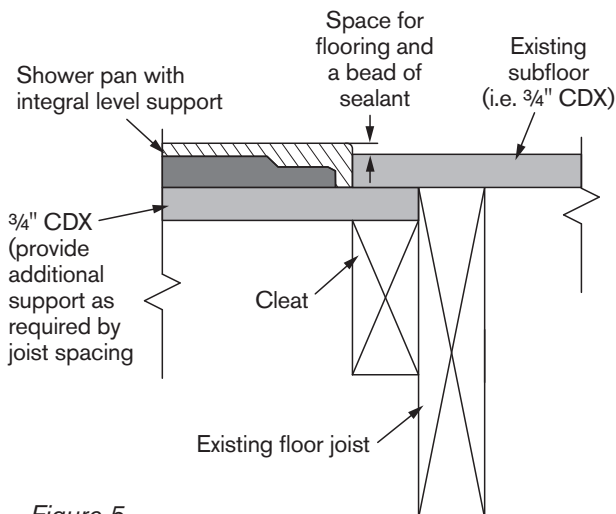
- 1 Check shower pocket area for level and for correct dimensions. Make sure drain hole in floor is the correct distance from studs. The floor must be within $\frac{1}{8}$ " of level, especially around drain box-out.

NOTE: If the floor was cut to install pan directly on joists, follow detail **A** below. Otherwise, skip to step 2.

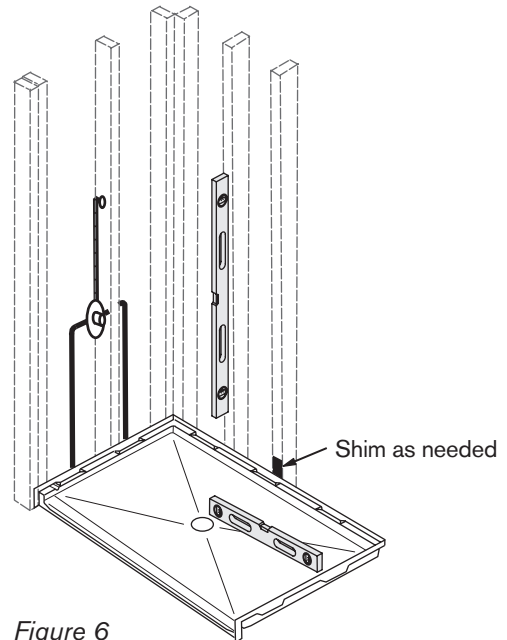
A FOR ACCESSIBILITY INSTALLATION ONLY:

If you have cut out flooring to recess the unit for maximum accessibility and plan to install pan directly on top of floor joists, additional support must be provided.

Attach cleats to side of joist so sections of $\frac{3}{4}$ " plywood can be installed flush with top of joist. This will provide support for the back of the pan and also allow for shimming. (Figure 5)



- 2 The shower drain pipe must be centered in an 8" diameter or 8" x 8" ($\pm \frac{1}{2}$ ") opening in the floor (see Figure 4 above). If the opening is larger, it must be adjusted to 8" x 8" with structural material (such as wood, cement, etc.) to prevent flexing.



- 3 **DRY-FIT THE PAN:** Set pan in the pocket. You **MUST** either dry-fit the shower walls or use a level to ensure pan is level, without low spots, and positioned correctly. Shim if necessary. (Figure 6)
- 4 Draw a line on the floor along front edge of pan.

(continued on page 4)

INSTALLING LOW-PROFILE SHOWER PAN (CONTINUED)

- 5** Remove pan from the framing pocket. Have a plumber install drain fitting in pan (see page 7 for how to install optional no-caulk drain). Plumber should also prepare drain pipe to receive the drain; the pipe must be centered in the 8 x 8 cutout.

! To avoid deformation, **DO NOT rest the pan on the drain.**

- 6** Sweep the floor and remove all debris from pocket area so adhesive will adhere to the floor properly. The floor may be damp but there should be no standing water.

- 7** Clean underside of pan to remove any debris stuck to it.

- 8** Place pan in pocket and prop it up while you apply supplied adhesive to the floor. Starting in a corner, apply 1" dia. x 3/4" tall dollops of supplied adhesive every 6". See below for an example of the epoxy pattern for a 63" x 37" shower. (Figures 7 and 8)

! **DO NOT walk on pan until adhesive has cured.**

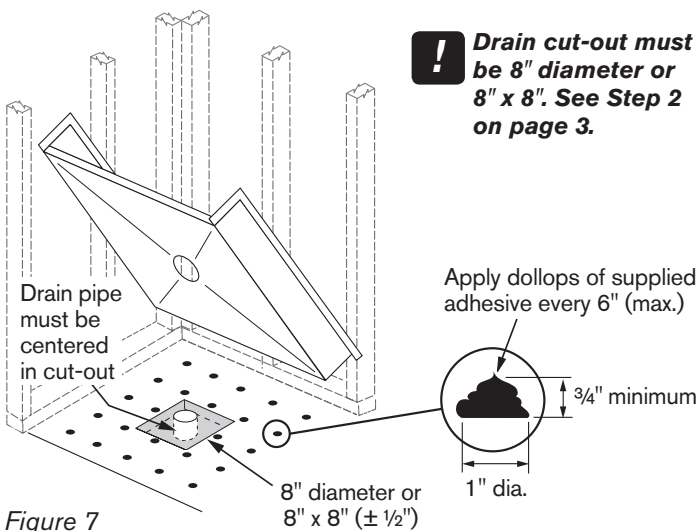


Figure 7

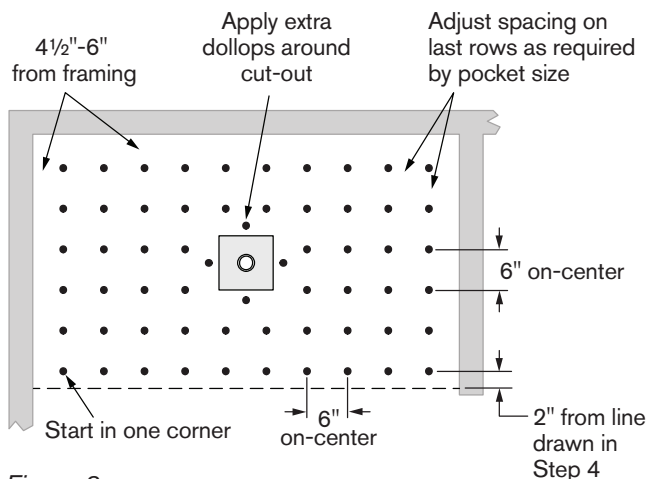


Figure 8

! **Epoxy supplied by Bestbath is intended for adhering the pan to the subfloor. It should not be used for leveling the subfloor. If the subfloor does not meet stated requirements, please use an appropriate product (not supplied) to level the subfloor prior to installation.**

- 9** Lower pan into position, making sure it aligns with curb line drawn in Step 4. Avoid stepping on pan until adhesive has cured.

To monitor cure time, put adhesive between two pieces of scrap wood and press to about 1/16" apart. Set aside until Step 12.

- 10** Construct weight plates as shown below (if provided). These plates distribute the weight evenly, which helps prevent deformities in the sloping floor. They also help ensure that the adhesive spreads evenly and bonds securely to both pan and floor. (Figure 9)

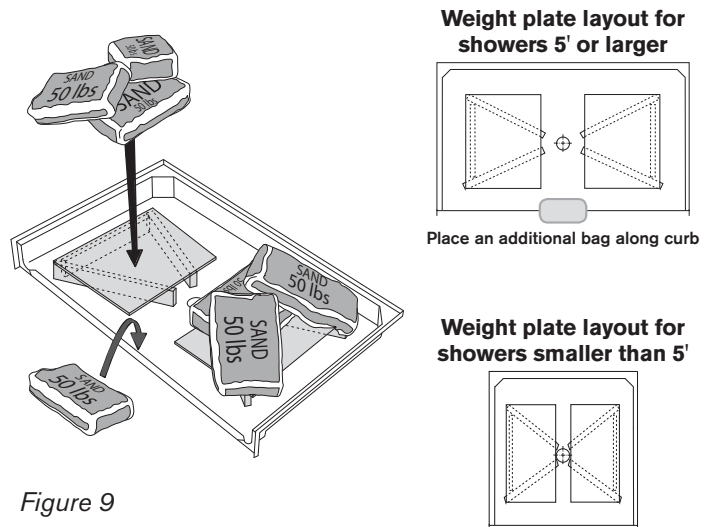


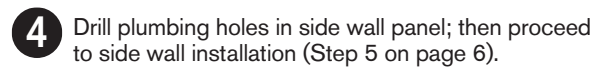
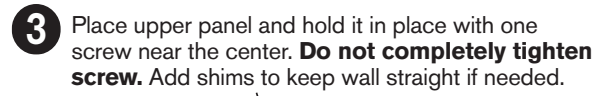
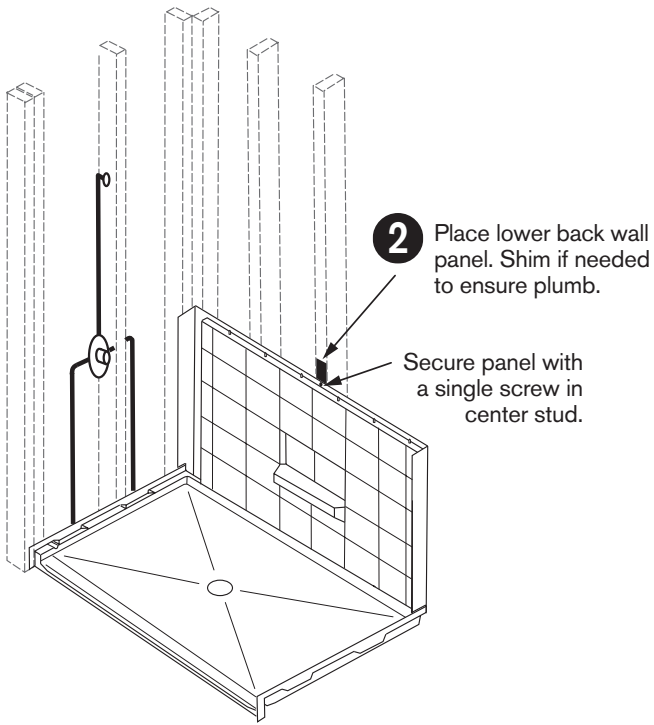
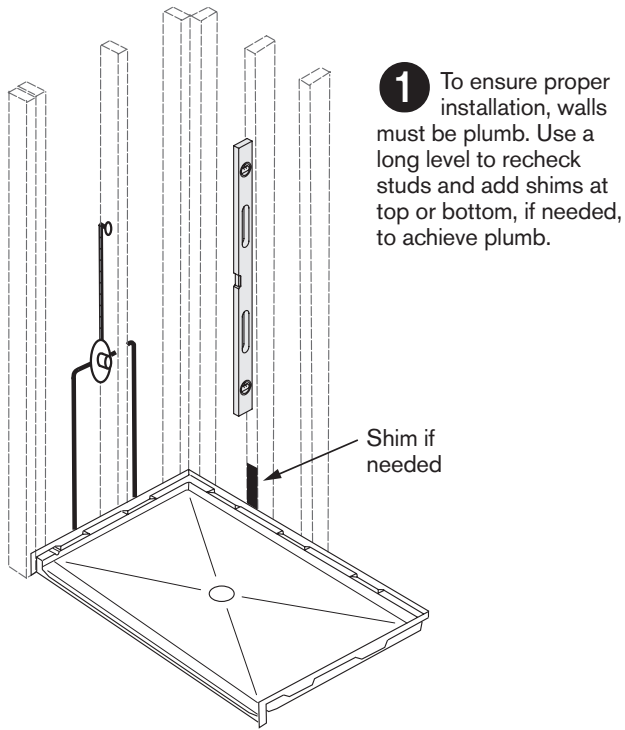
Figure 9

Weight Recommendations

An initial weight of roughly 200 pounds is required to bond the unit to the subfloor. Some models may require an additional weight, up to 150 pounds, to achieve the desired slope for proper drainage and to force the threshold flat against the floor. Use a level to make sure there is slope to the drain; the level should sit flat against the shower floor (without rocking).

- 11** Make sure floor drains properly and doesn't have any low spots by pouring water on it or checking it with a level. If in doubt, remove pan and review the previous steps.
- 12** Check cure time sample from step 8. When the pieces of scrap wood are bonded, remove weight plates and screw flanges to framing.
- 13** Proceed to wall installation (see page 5).

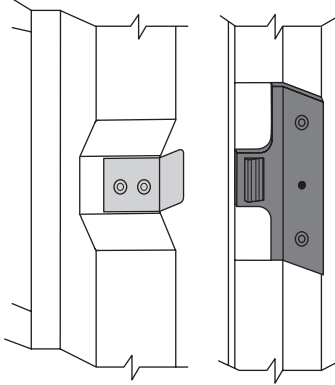
INSTALLING SHOWER WALLS



INSTALLING SHOWER WALLS (CONTINUED)

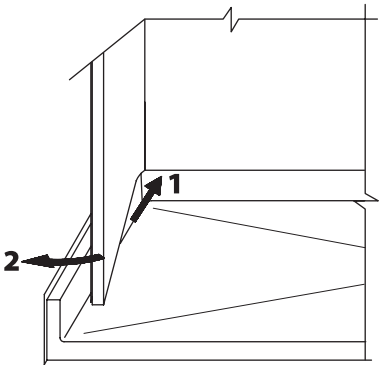
If your walls have SnapJoint hardware as shown in 5A, proceed with steps A1 and A2 below.

5A SnapJoint Walls



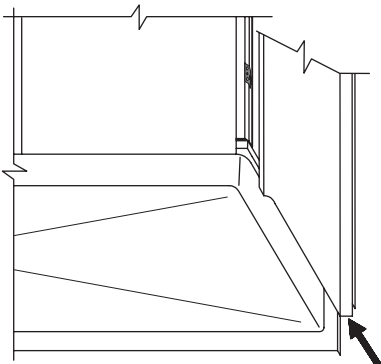
A1 Installing valve wall:

- If parts of the shower valve and/or pipe nipple stick out:
- (1) Completely insert side wall at an angle to clear them;
 - (2) Rotate the wall into place;
 - (3) Push wall until front is flush with pan.



A2 Installing non-valve wall:

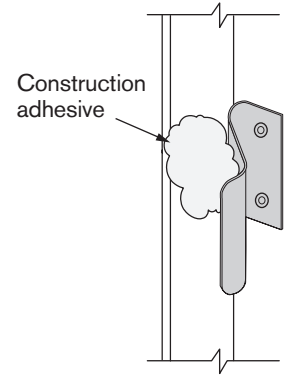
Rest side wall on pan ledge, then push it into the wall channel until front is flush with pan.



If your walls have SpringClip hardware as shown in 5B, proceed with steps B1 and B2 below.

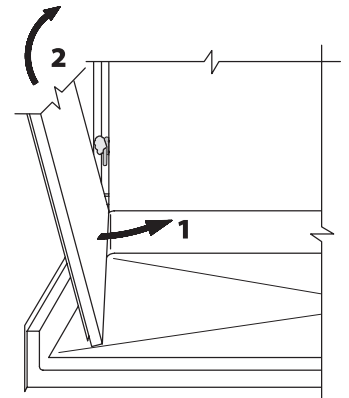
5B SpringClip Walls

- #### B1
- Unless you are doing a dry fit first, apply a generous dollop of construction adhesive (included) between the flange and the back of each SpringClip as shown. After applying the adhesive, proceed directly to step B2.

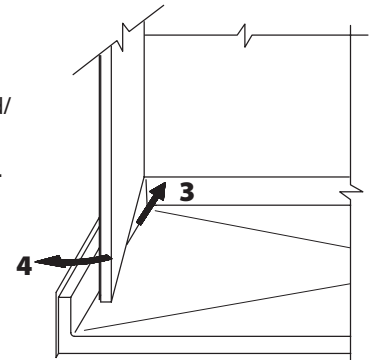


B2 Installing valve wall:

- (1) Holding side wall angled inward, insert it at the lowest SpringClip first.
- (2) Pivot the wall up to engage the remaining clips.

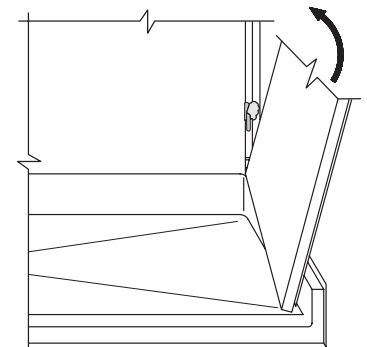


- (3) Keep side wall completely inserted but still angled to clear the shower valve and/or pipe nipple.
- (4) Rotate wall over plumbing. Push wall in until front is flush with pan.



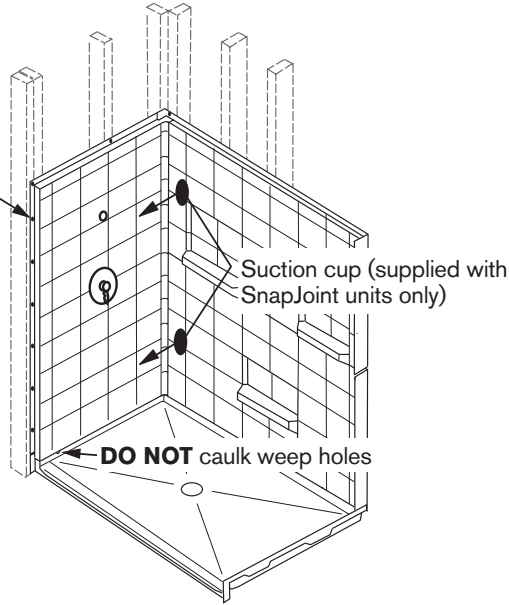
B3 Installing non-valve wall:

Holding side wall angled inward, insert it at the lowest SpringClip first, then rotate wall in to insert it at the higher clips. Push wall in until front is flush with pan.



INSTALLING SHOWER WALLS (CONTINUED)

6 With walls firmly pushed down and front edge of side wall aligned with front edge of pan, screw through side wall flanges into framing.

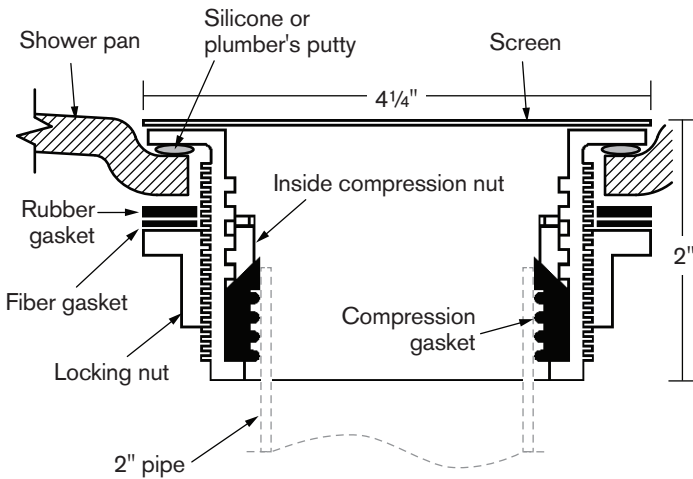


7 For SnapJoint Walls ONLY: With a suction cup on lower back wall panel, pull it firmly forward until back and side walls are pulled together. You will hear a series of clicks as the panel locking clip engages. Repeat with upper panel.

8 Screw top flange of back wall to studs. Apply silicone caulk in all joints **except weep holes**, which are located near the front on the seam between the pan and side wall.

INSTALLING OPTIONAL NO-CAULK SHOWER DRAIN

CROSS-SECTION OF DRAIN (INSTALLED)



- 1** Remove inside compression nut and compression gasket.
- 2** Apply silicone or plumber's putty around shower drain hole on the inside of shower only.
- 3** Install drain body in shower drain hole.
- 4** Install rubber gasket, fiber gasket and locking nut; tighten locking nut.
- 5** Install shower pan over drain pipe (or install pipe later.)
- 6** Slide inside compression gasket into drain body and slip over pipe. **Make sure beveled end of inside compression gasket is facing up and is flush with pipe surface.**
- 7** Tighten inside compression nut into drain body using the tool provided.

